

Application

- **Sub Metering In Commercial Building**
- **Branch Circuit Monitoring**
- **Utility Application**

Feature

- Suit for 3 phase 4 wire connection mode
- Used for 4x3 phase AC measuring
- LCD display U, I, P, Q, S, PF, F, kWh, kvarh
- Over & Under limit alarm, up to 500 alarm records
- Max. measure current up to 600A
- 33.3mA & 100mA rated current input (optional)
- LED light indicates alarm & communication status
- Standard 35mm DIN Rail Mount



Main Function

Real-time Measurement

- Voltage, Current, Active Power, Reactive Power, Apparent Power
Power Factor, Frequency, Active Energy, Reactive Energy

Data Logging Every 15 Minutes (Under Programming)

- Total active energy, total active power, current

Over & Under Limit Alarm & Record Function

- Over voltage, Under voltage, Over current

Communication

- 1 RS485 port, MODBUS-RTU protocol

Technical Specification

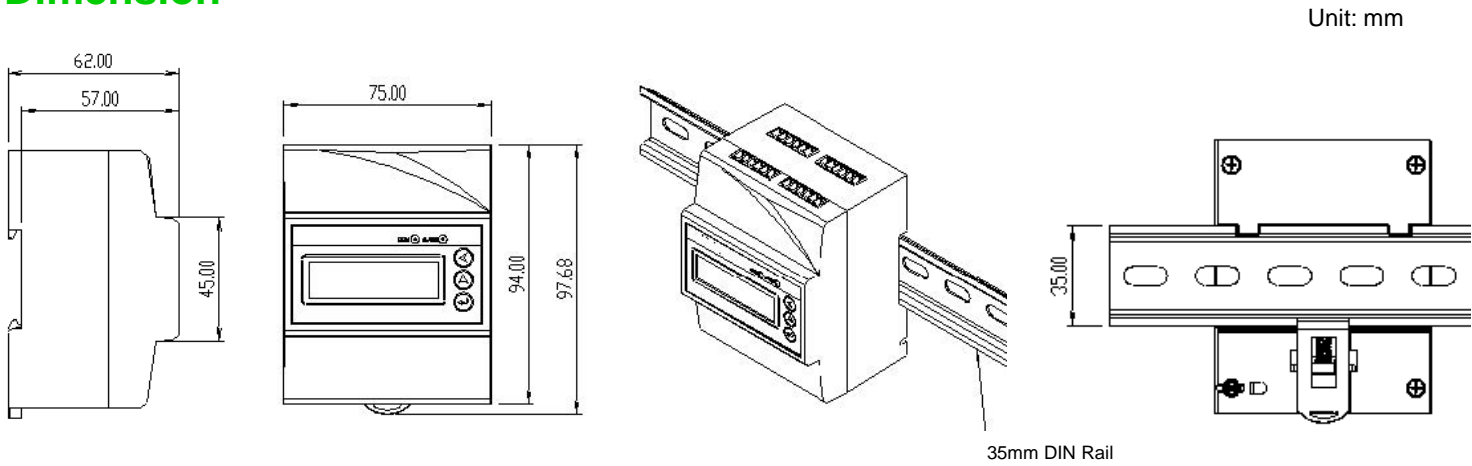
Connection Mode	3 phase 4 wires
Rated Current Input	100 mA & 33.3mA (Optional)
Rated Voltage Input	3*220/380V, 45Hz ~ 65Hz
Power Supply	AC 85 ~ 265V, DC 100~300V
Power Loss	≤2W
Communication	RS485 serial, support Modbus-RTU Baud rate: 4800, 9600 bps Address: 1~247
IP Index	IP52 (front panel), IP20 (whole device)
Dimension (L x W x H)	94*75*62mm
Environment	Operating temperature: -10℃~ +55 ℃ Storage temperature: -40℃~ +70 ℃ Humidity: 5%~95% non-condensing

Parameter	Accuracy	Resolution	Measuring Range
Voltage	0.5%	0.1V	AC 0~300V
Current	0.5%	0.1A	AC 0~600A
Active Power	1.0%	0.1W	each phase: 0~216kW
Reactive Power	2.0%	0.1var	each phase: 0~216kVar
Power Factor	1.0%	0.001	-1.000~+1.000
Frequency	0.5%	0.01Hz	45~ 65 Hz
Active Energy	1.0%	--	0~ 99,999,999.9 kWh
Reactive Energy	2.0%	--	0~ 99,999,999.9 kWh

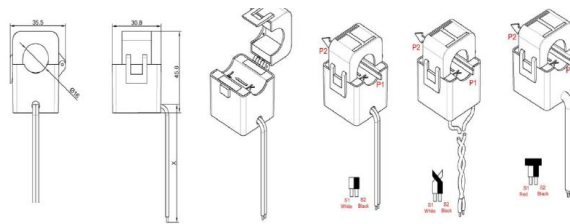
Standard (EMC)

Electrostatic discharge immunity test	IEC 61000-4-2: 2001
Radiated immunity test	IEC 61000-4-3: 2002
Electrical fast transient/burst immunity test	IEC 61000-4-4: 2006
Surge immunity test (1, 2/50μs~8/20μs)	IEC 61000-4-5, 2005
Radio frequency immunity	IEC 61000-4-6: 2006
Electromagnetic emission limit	CISPR22: 2006 pass

Dimension



Current Transformer



SeT

Order Information

		Order Code	Description
Main Module		Энергом 12	Main module with 4*3 circuit energy monitoring
CT Accessory	For 100mA Secondary	SeT-16	Solid Core CT: $\Phi 16\text{mm}$, 50-100A Class 0.5
		SeT-24	Split Core CT: $\Phi 24\text{mm}$, 100-300A Class 0.5
		SeT-36	Split Core CT: $\Phi 36\text{mm}$, 200-600A Class 0.5
		SeT-50	Split Core CT: $\Phi 50\text{mm}$, 200-600A Class 0.5

Traditional Energy Meter

Энергом 12 Multi-Circuit Energy Meter



Before

After

All in One, Cost Saving, Space Saving