

## Energom-PR260

### Modular motor management

#### Description

Energom-PR260 is modular design motor management device, accommodate more I/O modules. Flexible arrangement of motor control modes and state sensing. monitors voltage, current, and temperature to provide a comprehensive package of 22 protective functions. with integrated protection, motor control, metering, and data-logging functions.

This system is typically used to provide protection for three-phase low- and medium-voltage, medium to high-horsepower induction motors.

#### Features

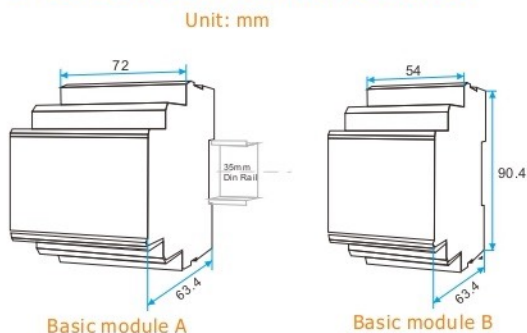
- Panel mounting HMI unit and Din-rail mounting control module.
- Suit for Motor under 0.66KV and any current range.
- HMI unit provide 3-phase current voltage monitors, Power Measurement.
- Control unit use ..5ACT connect.
- Abundant protection modes can be freely selected to alarm or trip.
- Can selected a variety of startup modes for different wiring application.
- 100 lists Waveform capture function, easy to trace back the fault.
- RS-485 network communications.
- 4 digital outputs, and 7 digital inputs.
- Optional 2 programmable analog output.
- Extra optional Modular:
  - PR-26C extra 2\* RS485 or 2\* Profibus-DP port;
  - PR-265 extra programmable 11\*DI and 6\*DO.
- Accept customerized extra function module.



#### Technical characteristics

IEEE / ANSI C37.2	PROTECTION FUNCTIONS
48	Max. Start Time
49, 51	Overload
51	Increased safety motors overload
51R	Over Current Level 1 - Jam
47	Phase loss
46	Current imbalance
50G/N, 51G/N	Ground fault
50	Over Current Level 2 - Short
32L	Under Power
38	Over temperature
59	Over voltage
27	Undervoltage
81U/81O	Abnormal frequency
55	Lead / Lag PF / Low Power Factor
74	Welded Contactor
86 or 94	External fault
	Data logging
	Wave capture

#### Installation Dimensions



PR 260	Acquisition module	B+A
PR 265	I/O Unit	A
PR 26C	Comm Unit	B