

Energom-PR260

Motor Protect Relay

User Manual



Version 1.4

Revision 2023-9

Read me

When you use EnergoM-PR260 series motor protect relay, be sure to read this user manual carefully, and be able to fully understand the implications, the correct guidance of operations in accordance with user manual, which will help you make better use of EnergoM-PR260 series motor protect relay, and help to solve the various problems at the scene.

- 1.The device must be installed and maintained by professionals.
- 2.Input signals and power must be isolated before any internal or external operation is performed on the device.
- 3.The signal and auxiliary power provided to the device must be within the allowable range.
- 4.Whether the current input phase sequence is correct?
- 5.Whether the motor rated parameter setting correct?
- 6.Whether the ratio setting and the working mode setting of the relay correct?
7. Whether the protection mode and setting time are reasonable?



- **Please read this user manual carefully**
- **Please save this document**

Directory

1. - SUMMARIZE.....	- 4 -
2. - SPECIFICATIONS	- 6 -
3. - PRODUCT SELECTION GUIDE	- 8 -
3.1 - SELECTION INSTRUCTIONS.....	- 8 -
3.2 - EXTERNAL PROTECTION CT SELECTION GUIDE, TYPICAL IN 380V MOTOR SYSTEM:	- 9 -
3.3 - DESCRIPTION OF CONTROLLER RELATED ACCESSORIES.....	- 10 -
3.3.1 - <i>External current transformer (ECT)</i>	- 10 -
3.3.2 - <i>Residual current sensor (ZCT)</i>	- 11 -
4. - INSTALLATION AND START-UP	- 12 -
4.1 - INSTALLATION DIMENSION	- 12 -
4.2 - TERMINAL DEFINITION.....	- 14 -
5. - OPERATION MODE	- 15 -
5.1 - LCD DISPLAY SCREEN	- 15 -
5.2 - PANEL LED INDICATOR.....	- 15 -
5.3 - KEYS INTRODUCTION.....	- 16 -
5.3.1 - <i>Motor control button</i>	- 16 -
5.3.2 - <i>Operation button</i>	- 17 -
6. - SCREEN DISPLAY	- 18 -
6.1 - MEASUREMENT INTERFACE	- 18 -
6.2 - ENTER AND EXIT CONFIGURATION MENU	- 20 -
6.3 - CONFIGURATION MENU STRUCTURE.....	- 21 -
6.4 - PROTECTION MODE SUB-MENU SETTING.....	- 22 -
6.5 - SYSTEM SUB-MENU SETTING	- 28 -
6.5.1 - <i>Sub menu-1</i>	- 28 -
6.5.2 - <i>Sub menu-2</i>	- 29 -
6.5.3 - <i>Analog output</i>	- 30 -
6.5.4 - <i>Digital output setting</i>	- 31 -
6.5.5 - <i>Digital input setting</i>	- 32 -
6.5.6 - <i>Sub menu-4</i>	- 34 -
7. - PORTECTION FUNCTION INTRODUCTION	- 35 -
7.1- START OVERTIME PROTECTION	- 35 -
7.2- OVERLOAD PROTECTION	- 36 -
7.3 - PHASE LOSS PROTECTION	- 39 -
7.4 - JAM IN RUNNING PROTECTION (STALL)	- 39 -
7.5 - CURRENT IMBALANCE PROTECTION	- 40 -
7.6 - UNDERLOAD PROTECTION	- 41 -
7.7 - JAM IN STARTING PROTECTION (ROTOR LOCKED).....	- 41 -
7.8 - GROUND FAULT PROTECTION	- 42 -

7.9 - OVER TEMPERATURE PROTECTION	- 43 -
7.10 - SHORT CIRCUIT PROTECTION	- 43 -
7.11 - OVER VOLTAGE PROTECTION.....	- 44 -
7.12 - UNDER VOLTAGE PROTECTION	- 44 -
7.13 - ABNORMAL FREQUENCY PROTECTION.....	- 45 -
7.14 - ABNORMAL POWER FACTOR PROTECTION	- 45 -
7.15. - TE PROTECTION	- 46 -
7.16. – VOLTAGE DIP RESTART FUNCTION	- 48 -
7.17. - ANTI VOLTAGE DIP FUNCTION	- 50 -
7.18. - CUSTOM TRIP FUNCTION.....	- 50 -
8. - MOTOR START MODE INTRODUCTION.....	- 51 -
8.1.- ONLY PROTECTION MODE	- 51 -
8.2. - FULL VOLTAGE START MODE	- 53 -
8.3. - FORWARD AND REVERSE START MODE.....	- 54 -
8.4. - TWO-WINDING START MODE	- 55 -
8.5. - WYE-DELTA TRANSITION MODE	- 56 -
8.6 - CIRCUIT BREAKER DIRECTLY START MODE.....	- 57 -
8.7 - PULSE START MODE.....	- 58 -
9. - COMMUNICATION INTERFACE.....	- 59 -
9.1. - MODBUS © PROTOCOL.....	- 59 -
9.2 - REGISTER MAP.....	- 62 -
9.2.1 - Motor status parameter (Read only, Funx04).....	- 62 -
9.2.2 - Motor basic configuration (Read and write).....	- 65 -
9.2.3. - Motor protection functions configuration (Read and write).....	- 66 -
9.2.4 - Motor start mode configuration (Read and write).....	- 68 -
9.2.5 - Sequence of event record (Read only, code 04)	- 69 -
10. - SAFETY CONSIDERATIONS.....	- 70 -
11. - MAINTENANCE.....	- 70 -

1. - SUMMARIZE

Energom-PR260 series motor protect relay is an all-in-one solution designed to continuously monitor 3-phase power lines for abnormal conditions. It is suitable for the protection and monitoring of low-voltage motors with rated voltage less than 690V and rated current up to 820A.

The series of products monitor the field signals in real time, and detect the faults caused by abnormal starting, overload, overcurrent, overheating, stalled rotor, phase loss and imbalance, under voltage, overvoltage, under power, underload, grounding or leakage of the motor.

The motor protector realizes measurement function, protection function, motor start/stop control function and remote communication function; it has 7-way switch value monitoring, which can be configured according to needs, supports MODBUS-RTU communication bus, and can upload monitoring data and alarm status to remote control system.

Protection function (Details please refer to chapter 7)	Real-time monitor parameter
Start overtime (Max. start time)	Three-phase current
Over load	Current imbalance
Overcurrent stall	Heat capacity
Phase failure (Phase loss)	Ground residential current*
Jam in starting(Stall)	Thermal resistance*
Current imbalance	Three-phase line voltage*
Ground fault	Frequency*
Short circuit	Power factor*
Under load	Active power*
Current leakage*	Reactive power*
Under power	Apparent power*
External failure	Power factor*
Over temperature*	Electrical energy*
Module failure	
Over voltage	
Under voltage	
Abnormal frequency	
Abnormal power factor	
Restart	
tE protection (Increased safety motor overload)	
Overflow failure (failure current exceeds contactor breaking capacity) trips circuit breaker	

Notes: * marked is optional functions

FEATURES

- Modular design, small size, flexible structure.
- Full power measurement, dot matrix LCD display.
- Suitable for motors under 0.66KV and any current range.
- A control unit uses a CT connection with max 5A input.
- Multiple startup modes for different wiring applications.
- Save the latest 99 trip records.
- Standard RS-485 communication.
- Provide 4 digital outputs, and 7 digital inputs.
- All binary inputs and outputs can be programmed to set their functions.
- Optional Waveform capture function for easy fault tracing.
- Provide variety of additional DI/DO modules and communication modules facilitate the control needs of different sites.

2. - SPECIFICATIONS

Electrical parameters

Power supply:	85-265V AC/DC
Power consumption:	<10 VA
Insulation resistance:	> 100MΩ
Alarm relay	5A @ 250VAC, or 5A @ 30VDC (NO contact)

Measuring accuracy

Current:	± 0.5% @ 10%~200% of I _e
Voltage:	± 0.5% @ 10%~150%U _e
Frequency:	± 0.1% @ 45~65Hz
Power factor:	± 1.0% @ 0~1.000
Power:	± 1.0% @ 0~500kW
Leakage current:	± 1% @10%~100% of I _r
Thermal resistance:	± 1% @0.1K~30K

Working environment

Motor rated voltage:	AC380V / AC660V
Motor rated current:	0.5-820A
Working temperature:	-10C ~ +55°C
Storage temperature:	-25C ~ +70°C
Relative humidity:	< 93% RH
Altitude:	No more than 3000 m
Atmospheric conditions:	Operating place must not have the explosive medium and contain Gases that corrode metals and damage insulating and conductive medium.

Electrical test

Electrostatic discharge:	IEC 61000-4-2, Level III
Electrical fast transient burst:	IEC 61000-4-4, Level III
Surge shock:	IEC 61000-4-5 , Level III
Withstanding voltage:	IEC 61010-1, AC2kV/1min Between power / input / output

Product standards

GB / T 14048.1 (IEC 60947-1)	Low-voltage switchgear and control equipment General Provisions
GB / T 14048.4 (IEC 60947-4)	Low voltage electromechanical contactors and motor starters requirements
JB / T 10613-2006	General specification for digital motor combined protection equipment
JB / T 10736-2007	Low voltage motor protection

3. - PRODUCT SELECTION GUIDE

3.1 - Selection instructions

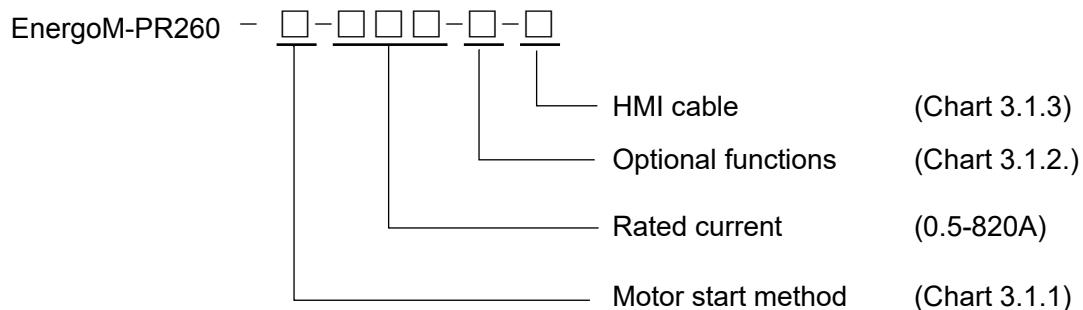


Chart 3.1.1

SN	Preset Motor Start method	Code
1	Protected only	A
2	Full voltage	B
3	Forward and reverse start	C
4	Two-winding start	S
5	Reduced voltage start	J
6	Wye-delta Transition	D
7	Autotransformer Closed Transition	G
8	Circuit breaker direct start	Q

Chart 3.1.2

SN	Optional function	Code
/	Standard type without additional functions	/
1	With zero sequence CT	L
2	1-channel 4~20mA analog port	M
3	2-channels 4~20mA analog port	M2
4	Temperature probe	T
5	Anti-voltage dip	K
6	Failure recording	Z
7	Profibus-DP communication port	P
8	Dual Profibus-DP communication ports	P2
9	Dual RS-485 communication ports	C2

Note:

Standard type without additional function, If need multiple additional functions the coded arranged in sequence after main code.

Chart 3.1.3

HMI cable length	Code
1-meter cable	D1
3-meters cable	D3
5-meters cable	D5

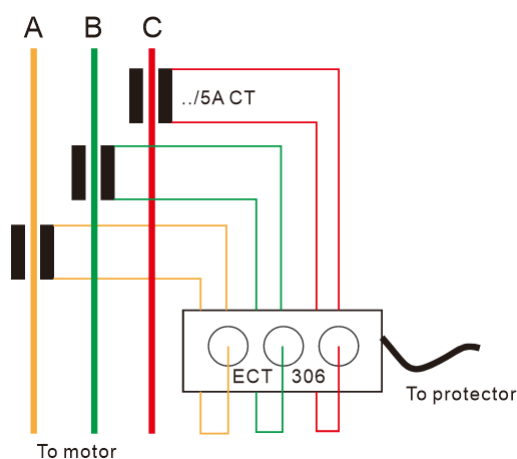
3.2 - External Protection CT selection guide, typical in 380V motor system:

Protector use outside external protect CT for current signal reference, on body have 4pin terminal block (see [chapter 4.2](#)), following is typical selection guide for motor rated current less than 200A:

Motor rated power (Kw)	Rated current (A)	Default CT range
0.06	0.22	10A (CT306)
0.12	0.42	
0.37	1	
0.55	1.5	
0.75	2	
1.1	2.5	
2.2	5	
3	6.5	
5.5	11	
7.5	14.8	
11	21	
15	28.5	
18.5	35	
22	42	
30	57	
37	69	
45	81	200A (CT304)
55	100	
75	135	
90	165	
110	200	

Notes:

1. The external CT rating already set in Config. menu |> System| > Ext.CT, (see [chapter 6.5](#)).
2. If motor rated current more than 200A, need use/5A external CT to expand measurement range. Typical wiring as following



External 500/5 CT as an example:

external CT should be 5P10, the measurement accuracy should be 0.5 class, and three transformers are a set.

Rated power (Kw)	Rated current (A)	Connected ECT	Expand CT
132	240	CT306 Set Ext. CT 5A	500/5
160	285		
200	352		
220	420		
250	480		

3.3 - Description of controller related accessories

3.3.1 - External current transformer (ECT)

External CT specifications and dimensions

CT304	CT305	CT306
Measurement 100A-200A	10-100A	0-10A
Secondary to protector 100mA	100A/50mA	10A/5mA
Maximum cable size 30mm	20mm	9mm

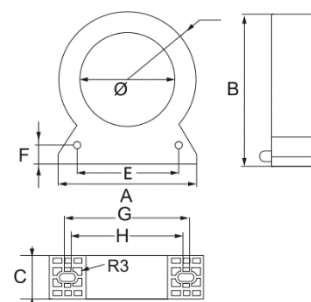
3.3.2 - Residual current sensor

Protector can connect separate residual current sensor to provide accuracy to measurement, need to do configuration in Menu |> System |> Addition |> GF. = External, see [chapter 6.5](#)

There are 2 types of residual current transformers: cable type and cooper bar type.

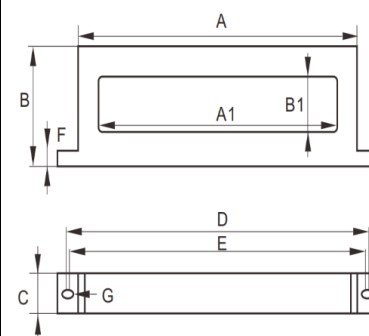
Wiring core for cable type:

Current range	Dimension (mm)								
	φ	A	B	C	D	E	F	G	H
16-100A	45	77	85	24	38	54	9	64	54
100-250A	80	112	122	28	56	80	14	89	80
250-400A	100	131	136	24	66	96	14	108	107
400-800A	150	200	209	28	100	145	16.5	184	177



Wiring core for cooper bar type:

Current range	Dimension (mm)								
	A1	B1	A	B	C	D	E	F	G
0-63A	100	20	133	50	16	144	140	3	2.0
0-100A	100	25	133	60	24	154	143	9	2.5
0-225A	140	32	172	72	24	189	184	9	2.5
0-250A	180	32	212	72	24	229	224	9	2.5
0-400A	220	45	254	86	24	269	264	11	2.5
0-630A	260	45	294	86	24	309	304	11	2.5
0-1600A	300	45	334	86	24	349	344	11	2.5
0-4000A	420	45	454	86	24	469	464	11	2.5



Note:

Protection function details, please refer to [chapter 7](#).

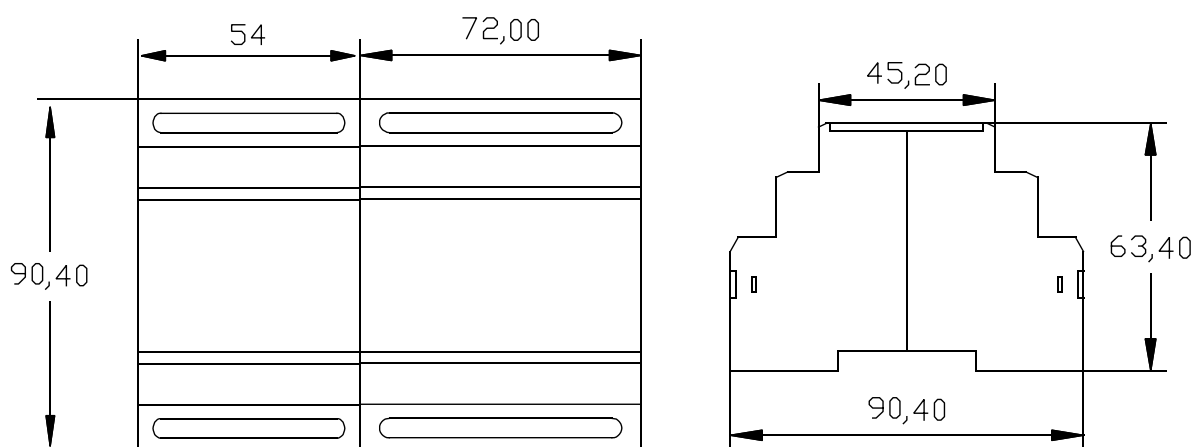
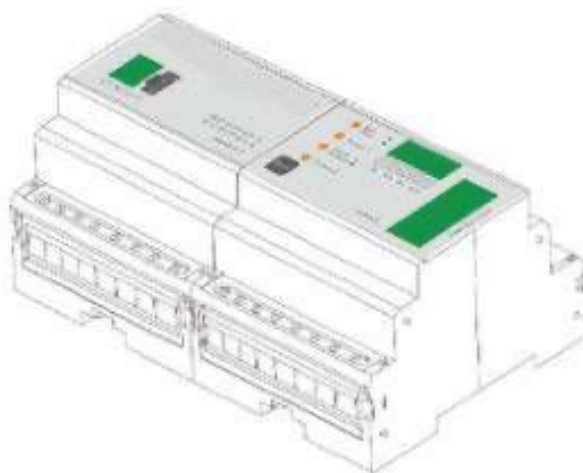
4. - INSTALLATION AND START-UP

4.1 - Installation dimension

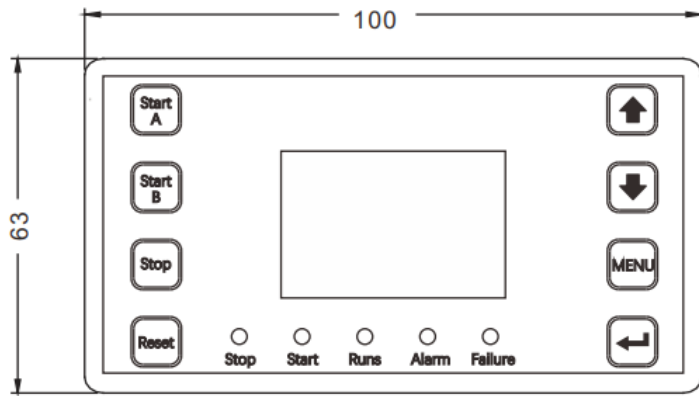
Energom-PR260 series motor protect relay is modular designed, Main body combined as 2 modules (Module A and B), other I/O and communication module can connect to main body for expand functions, all are din-rail mounting. There have panel mounting HMI by DB9pin cable from Module B, if no need site operation the HMI module is not necessary.

Note that with the instrument powered on, the terminals could be dangerous to touch and cover opening actions or elements removal may allow accessing dangerous parts. Therefore, the instrument must not be used until this is completely installed.

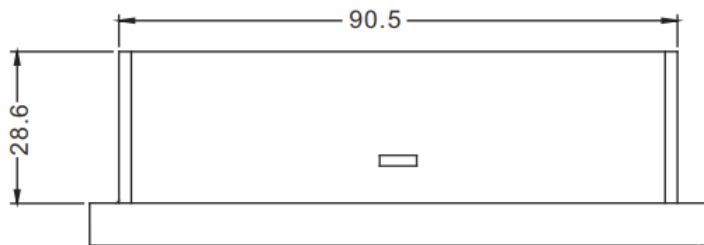
Main body dimension:



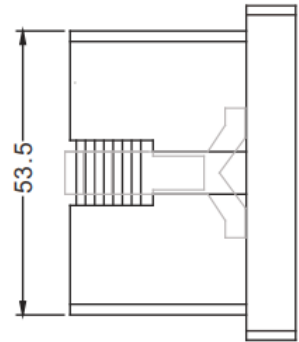
HMI dimension:



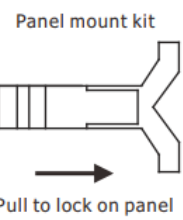
Top View



Front View

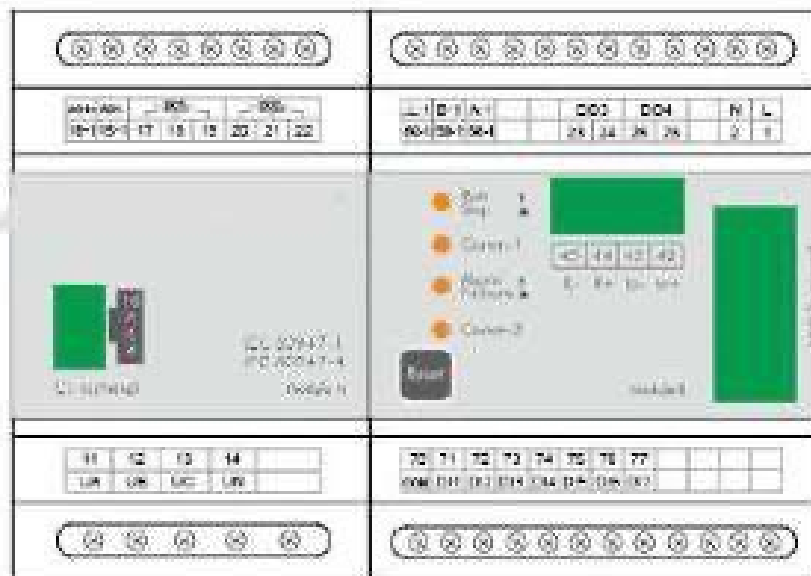


Side View



Pull to lock on panel

4.2 - Terminal definition



Terminal No.	Description	
15	4~20mA -	
16	4~20mA +	
17	NO	DO 1
18	COM	
19	NC	
20	NO	DO 2
21	COM	
22	NC	
4	CT A-phase S1	
6	CT B-phase S1	
8	CT C-phase S1	
10	CT Common S2	
11	A-phase voltage	
12	B-phase voltage	
13	C-phase voltage	
14	Neutral line	
-	-	
-	-	
-	-	

Terminal No.	Description	
58	RS485-A	
59	RS485-B	
60	GND	
23-24	DO 3 (Refer DO1)	
25-26	DO 4 (Refer DO1)	
1	Aux - L	90~240Vac/dc
2	Aux - N	
42	Leakage current Io+	
43	Leakage current Io-	
44	R - for NTC	
45	R + for NTC	
70	Common terminal of DI	
71	DI 1	
72	DI 2	
73	DI 3	
74	DI 4	
75	DI 5	
76	DI 6	
77	DI 7	

5. - OPERATION MODE



Energom-PR260 have a HMI, wired to relay body by DB9 cable;

Four keys "Start A", "Start B", "Stop" and "Reset" are for motor state control, and the other four keys are menu keys, It used for parameter display and configuration, also can use operation button to control motor working or stop.

LED indicator show motor status.

5.1 - LCD display screen

Screen area adopts a large size dot-matrix LCD, backlight is gray. The backlight time free to configuration. When there is a key operation, the backlight will be re-lit, and will go out after the set interval.

After device be powered, HMI default screen is measurement interface. In this interface, pressing

the "MENU" button can enter password and switch to configuration interface.


In this configuration menu, user can set the protection mode, system parameter, view fault alarm record, device runs records etc.


5.2 - Panel LED indicator


Indicator	Description	
"Stop"		Motor in working status
		Motor stopped
"Start"		Motor in non-start status
		Motor in starting period
"Runs"		Motor in non-runs status
		Motor in running
"Alarm"		Motor in normal status
		Alarm threshold triggered
"Failure"		DO in non-trip status
		DO tripped


5.3 - Keys introduction

5.3.1 - Motor control button





 Start A	Local direct control	Remote control mode
In "Protect only" mode	Invalid	
In "Panel control start/stop" mode	Motor start	Invalid
In "Forward and reverse start" mode	Motor start in forward rotation	Invalid
In "Two-winding start" mode	Motor start in winding-1(low speed)	Invalid
In "Wye-delta transition" mode	Motor start	Invalid
In "Autotransformer Closed transition" mode	Motor start	Invalid
In "MCB direct start" mode	Motor start	Invalid

 Start B	Local direct control	Remote control mode
In "Protect only" mode	Invalid	
In "Panel control start/stop" mode	Invalid	
In "Forward and reverse start" mode	Motor start in reverse rotation	Invalid
In "Two-winding start" mode	Motor start in winding-2(high speed)	Invalid
In "Wye-delta transition" mode	Invalid	
In "Autotransformer closed transition" mode	Invalid	
In "MCB direct start" mode	Invalid	

	Local direct control	Remote control mode
In "Protect only" mode	Invalid	
In "Panel control start/stop" mode	Stop motor immediately	Invalid
In "Forward and reverse start" mode	Stop motor immediately	Invalid
In "Two-winding start" mode	Stop motor immediately	Invalid
In "Wye-delta Transition" mode	Stop motor immediately	Invalid
In "Autotransformer closed transition" mode	Stop motor immediately	Invalid
In "MCB direct start" mode	Stop motor immediately	Invalid

	Press to release alarm and reset DO port to non-tripped status ,when motor in Stopped status.
---	---

5.3.2 – Operation button

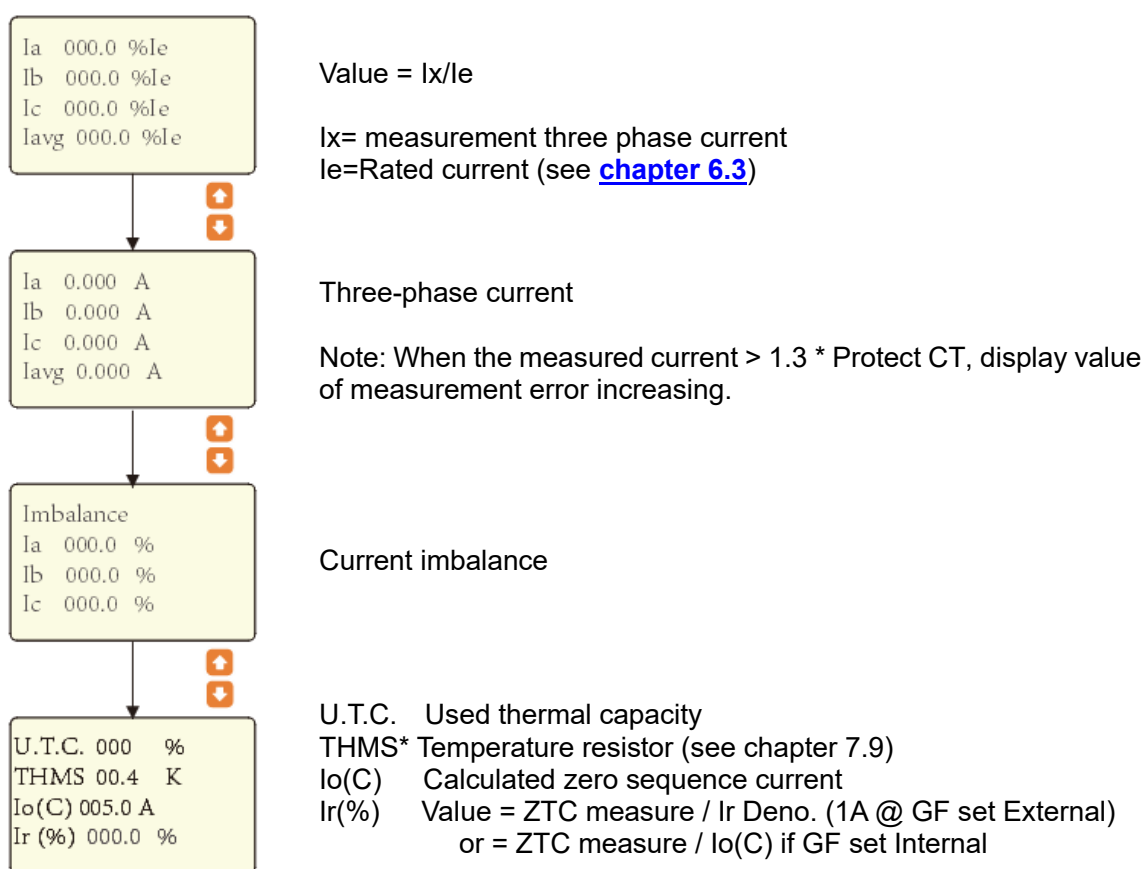
	Under measurement interface: Switch to former parameter displayed. Under configuration interface: Move cursor to left and increase value.
	Under measurement interface: Switch to next parameter displayed. Under configuration interface: Move cursor to right and decrease value.
	Under measurement interface: Switch to configuration interface (password default 0001). Under configuration interface: Exit or switch to measurement interface.
	Confirmed the enter value or setting changes.

6. - SCREEN DISPLAY

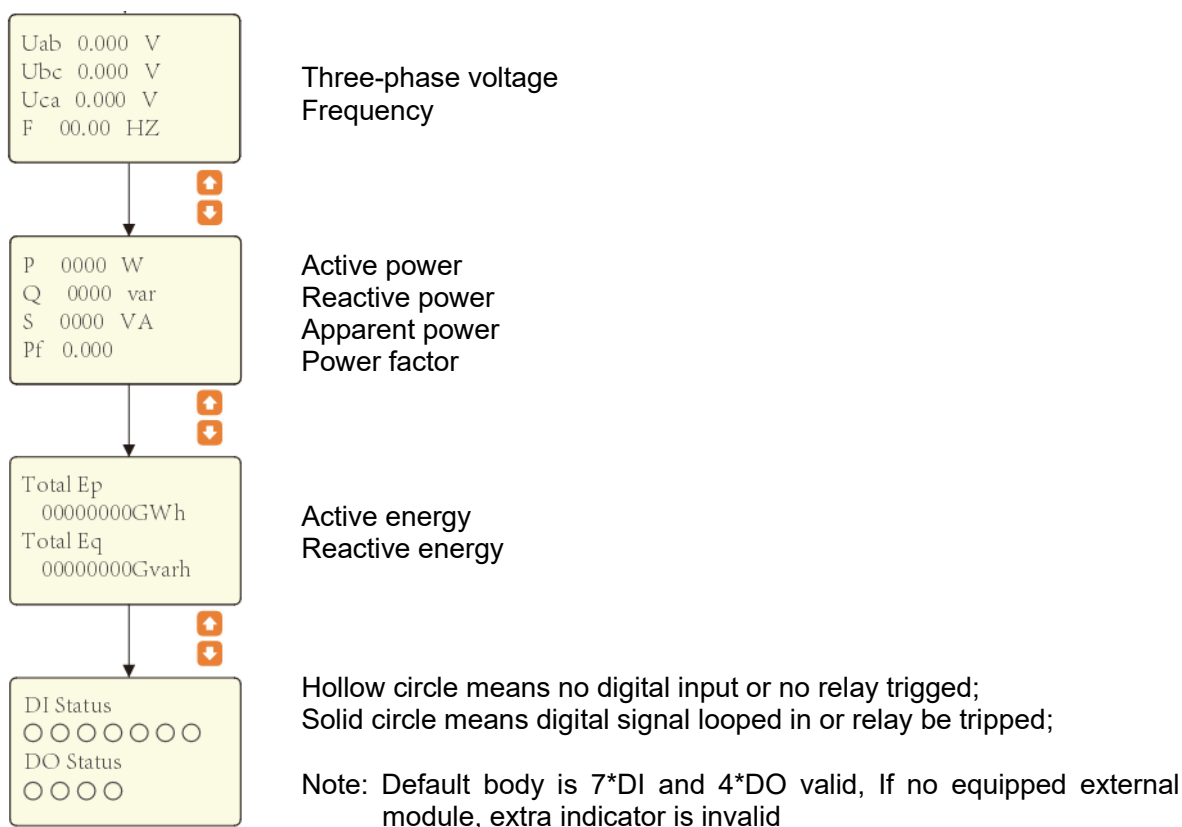
The default interface after power-on is the measurement interface. Under the measurement interface, the measurement parameters, startup, running status and fault information of the motor can be displayed. Enter the correct password (0001) by pressing the return key to enter the query setting interface.

6.1 - Measurement interface

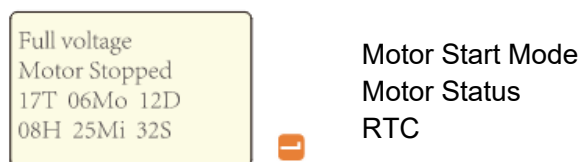
In the measurement interface, press the **Up** and **Down** keys to switch to view various parameters:



Notes: Thermal resistance parameter is only valid when access temperature probe;



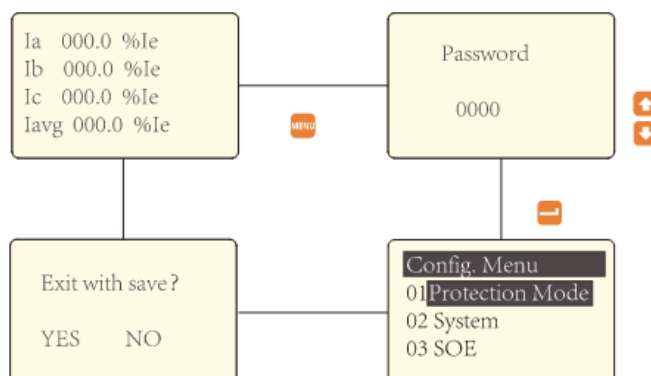
Press Enter button can switch to Motor status screen:



Motor Status have following:

Starting A/B	Motor in Starting mode,
Running A/B	Motor in Running mode,
Stopped	Motor Stopped
Fault info	Words flicker in background, total 17 different fault protection status. please refer to (Chapter 7)

6.2 – Enter and exit configuration menu



Enter the configuration menu:

Press "MENU" to enter password page, use "↑" and "↓" to enter default password "0001", press "MENU" you can enter Config. Menu to set parameters protector relay.

Exit configuration menu:

After parameter setting, press "MENU" multi times return to first-level of configuration menu, then press "MENU" can call out Save selection page, you can choose following:

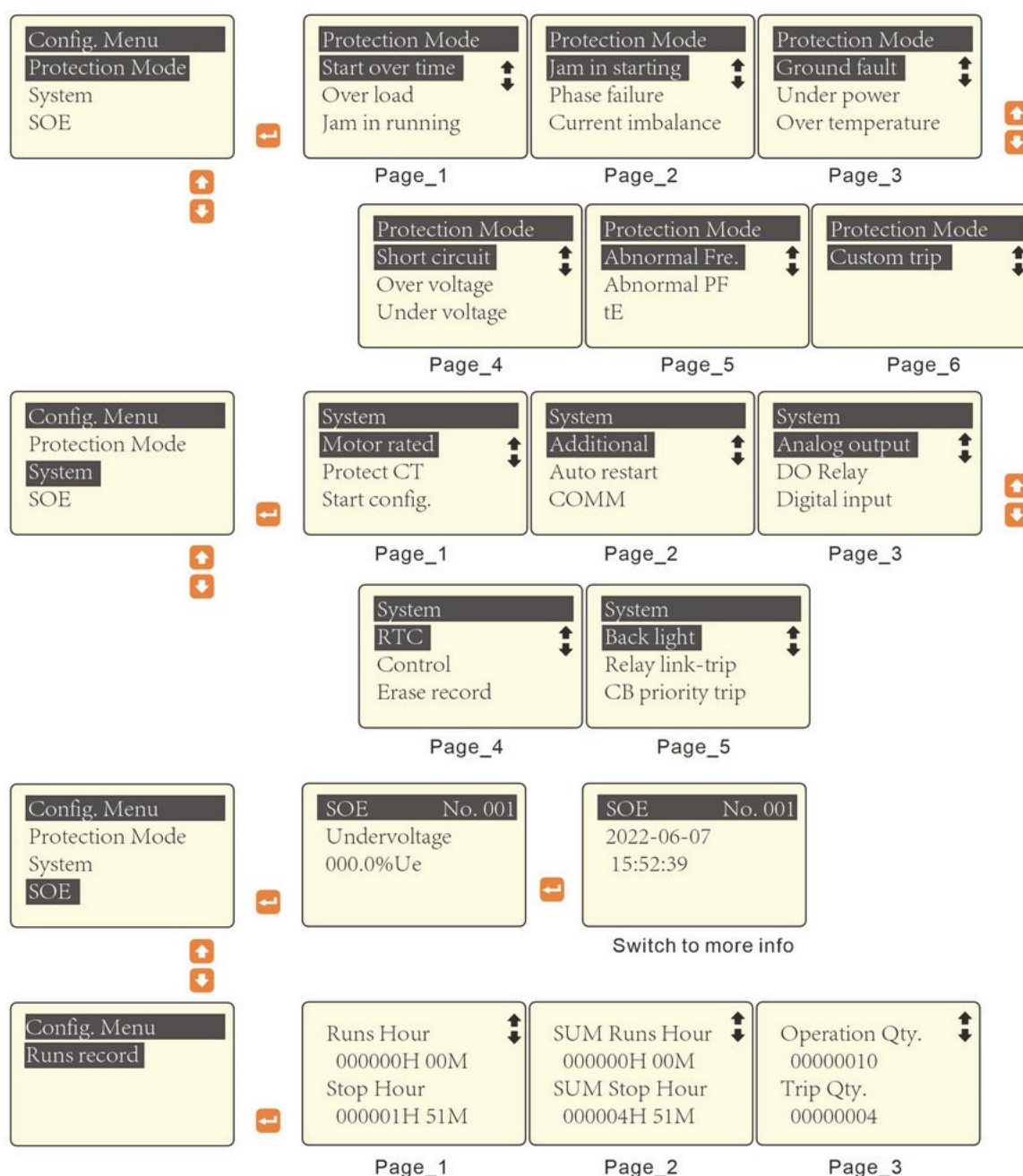
- (1) Press "MENU" directly return to configuration menu.
- (2) Press "↑" or "↓" to select "YES", press "←" for saving the parameter modify and exit.
- (3) Press "↑" or "↓" to select "NO", press "←" for exit without saving parameter modify.

6.3 – Configuration menu structure

The menu structure is as shown in the figure below, there have 4 sub parts can configuration or review in Config. Menu:

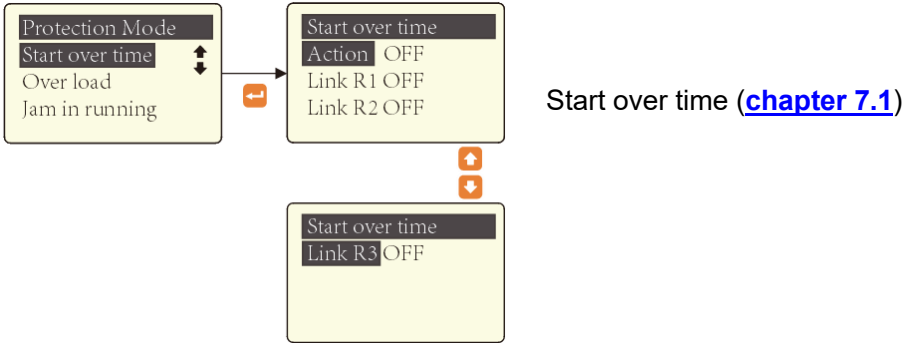
- Protection Mode
- System
- SOE
- Runs record

Each parts contains multiple sub-menus.

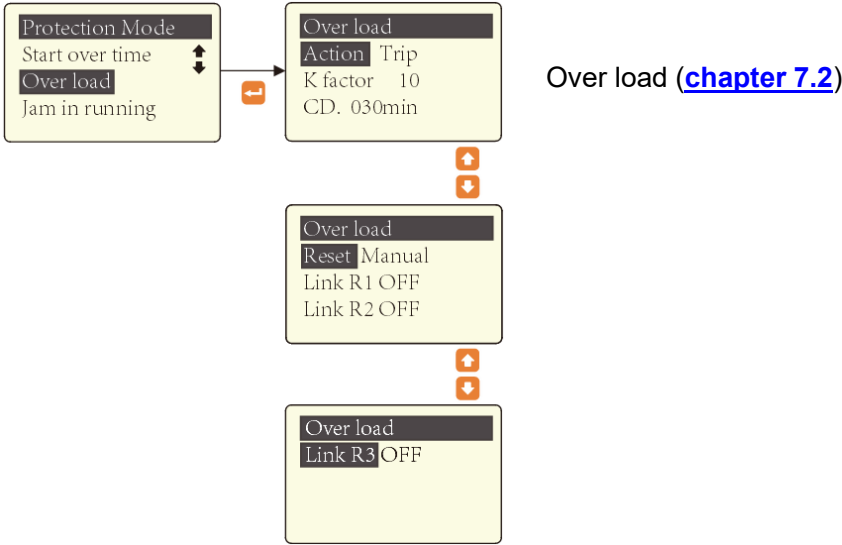


6.4 – Protection Mode sub-menu setting

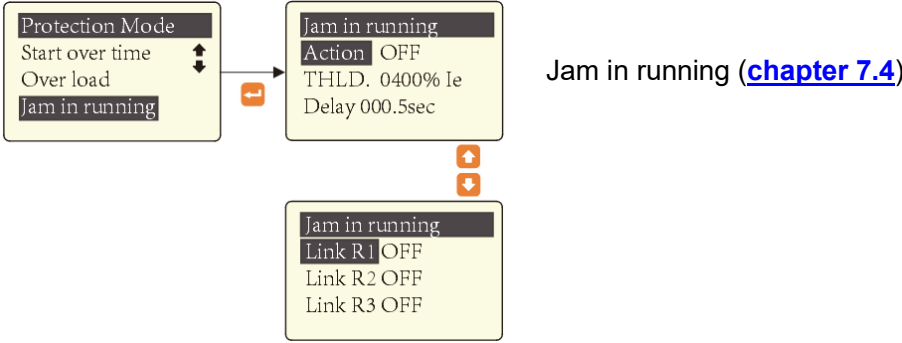
There have 15 different protection mode can configuration, detail function descriptions please refer to [Chapter 7](#).



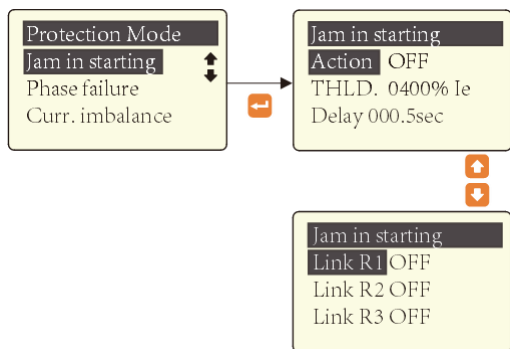
Start over time ([chapter 7.1](#))



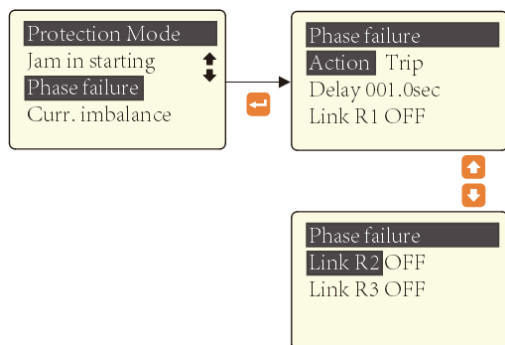
Over load ([chapter 7.2](#))



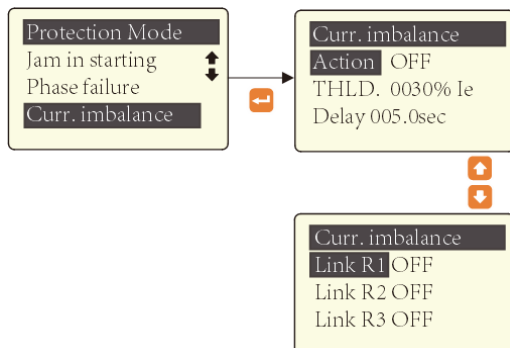
Jam in running ([chapter 7.4](#))



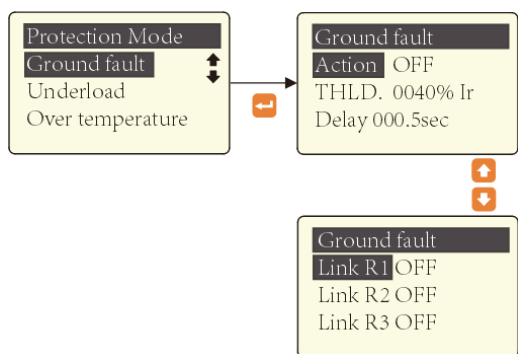
Jam in starting ([chapter 7.7](#))



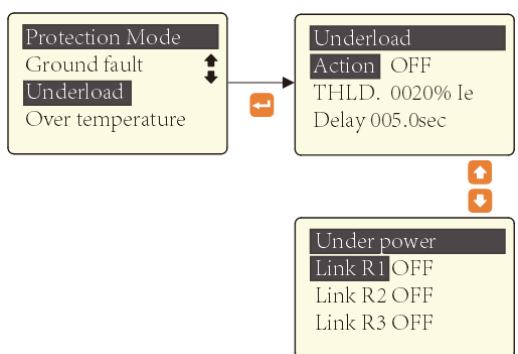
Phase failure ([chapter 7.3](#))



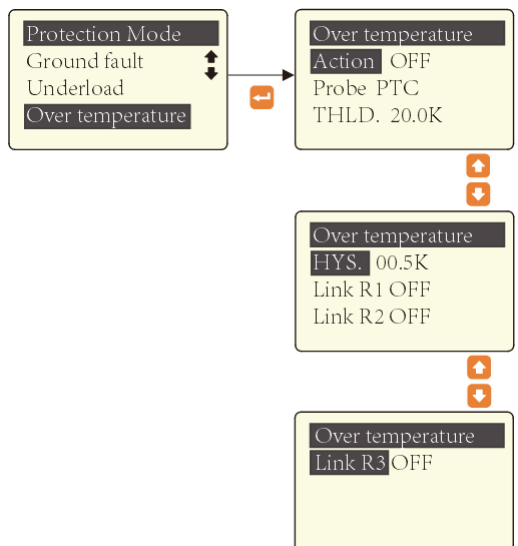
Current imbalance ([chapter 7.5](#))



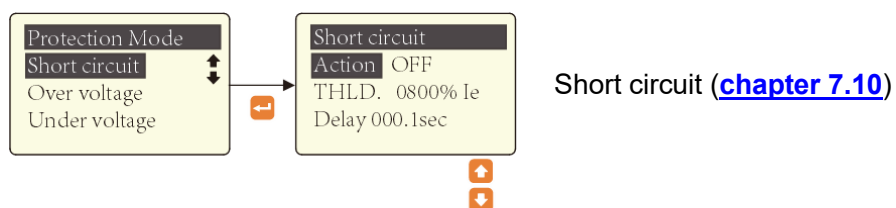
Ground fault ([chapter 7.8](#))



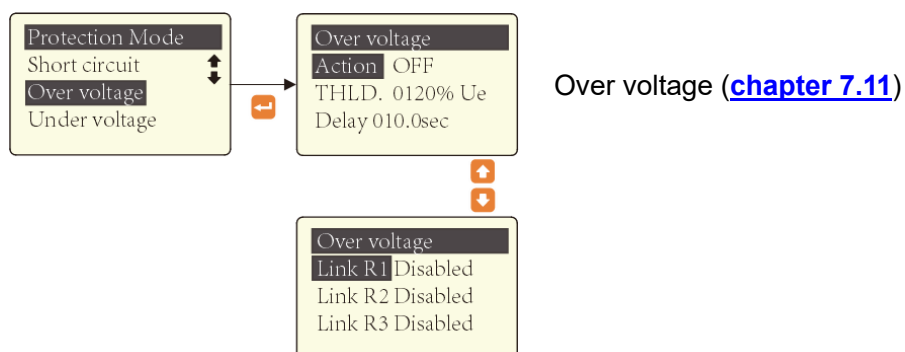
Underload ([chapter 7.6](#))



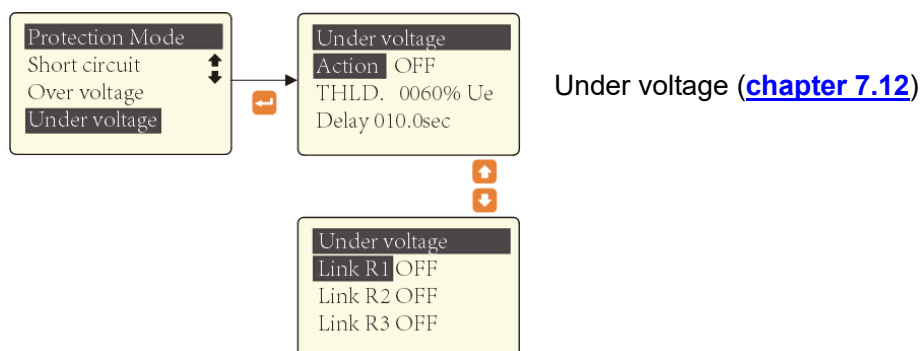
Over temperature ([chapter 7.9](#))



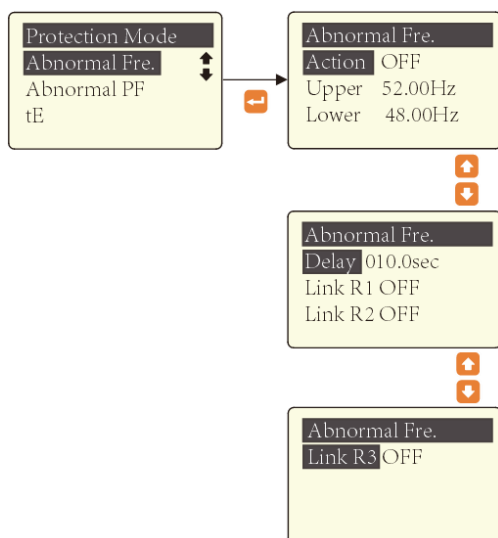
Short circuit ([chapter 7.10](#))



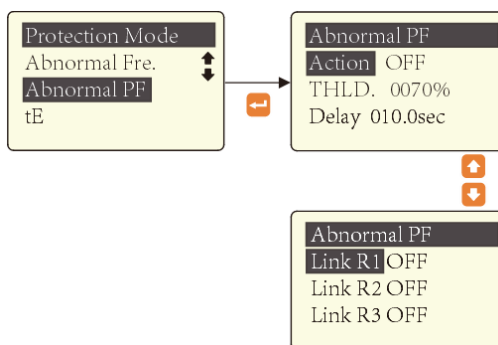
Over voltage ([chapter 7.11](#))



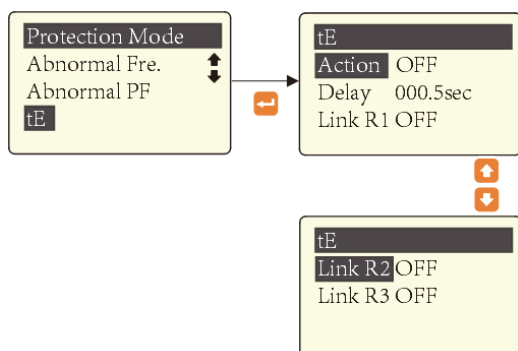
Under voltage ([chapter 7.12](#))



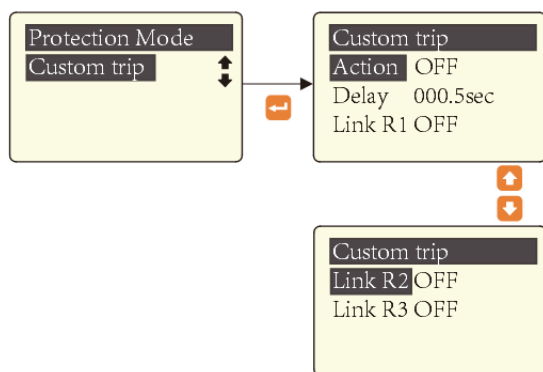
Abnormal frequency ([chapter 7.13](#))



Abnormal power factor ([chapter 7.14](#))



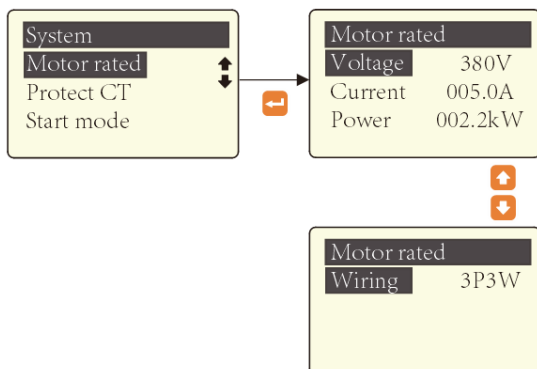
tE protection ([chapter 7.15](#))



Custom trip ([chapter 7.17](#))

6.5 – System sub-menu setting

6.5.1 – Sub menu-1



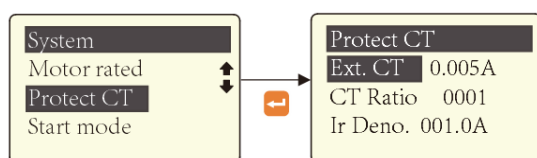
This page must set value match protected motor

Current = I_e , already set in factory.

Caution:

This screen value only accepts fine-tuning to suit different site.

If wrong setting will make trip time point error and damage Motor!



For external protection CT, can choose:

CT306 for 0-10A motor

Ext. CT: CT305 for 10-100A motor

CT304 for 100A-200A motor

see [chapter 3.2](#)

Protector allowed connect CT to expand

CT ratio: Ext.CT over 200A, default use CT306 as current sampling, expand CT use $..I_5A$, then set the expand CT ratio ;

Rated secondary value of zero sequence

Ir Deno: transformer for Ground fault detect, default 1A. Related $I_r(\%)$ calculate, see [chapter 6.1](#).

For example: Protect target is 132kW motor, rated current 240A, need set

Voltage=380V

Current=240A

Power=132Kw

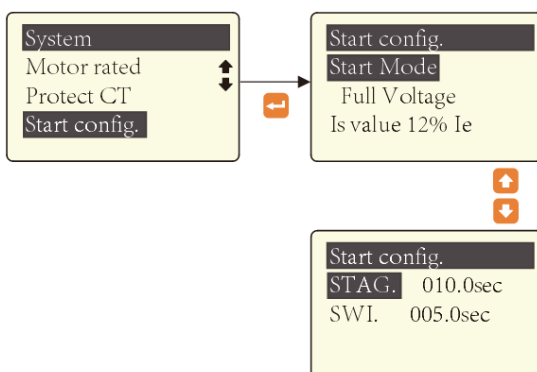
Wiring =3P3W

Ext.CT=5A

CT ratio=50

I_r Deno.=1A

Outside protect CT connect expand. I_5A CT, 3pcs, see typical wiring in [chapter3.2](#)



There have 8 types of Start Mode,

Forward / reverse

Two-Winding

RDC. Voltage

Full Voltage

Wye-Delta

Autotransformer

MCB direct

Only protection.

Other details see [Chapter 8](#):

Is value: Start current

STAG. = Starting with Is timer

SWI. = Switching delay timer, valid in:

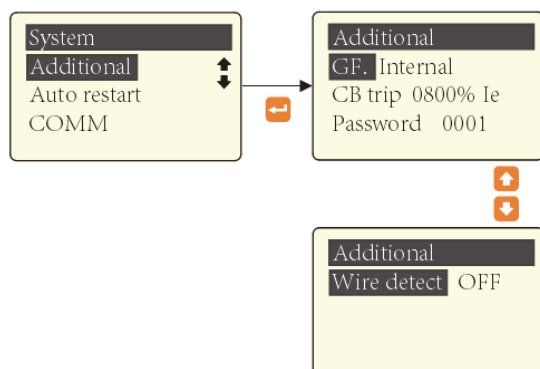
Forward / reverse

Two-Winding

Wye-Delta

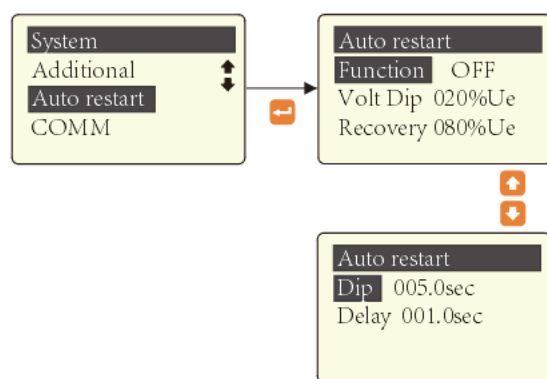
Autotransformer

6.5.2 – Sub menu-2



GF.: Internal, protector will calculate zero sequence current (Io(C)) to for Ir(%) display; (see [chapter 6.1](#))
 External, need connect Leakage current transformer for accuracy measure of Io(C).
 Function description see [chapter 7.8](#)
 CB trip: Circuit breaker trip threshold, trip port setting in DO, see [chapter 6.5.4](#)

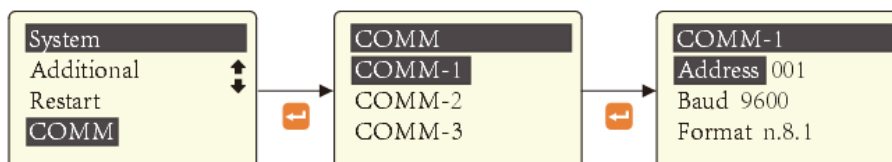
If enable this function, in starting period will check wiring error or not, HMI will show alarm info



Function description please see [chapter 7.16](#)

Volt Dip: voltage dip threshold
 Recovery: voltage recorver to normal threshold

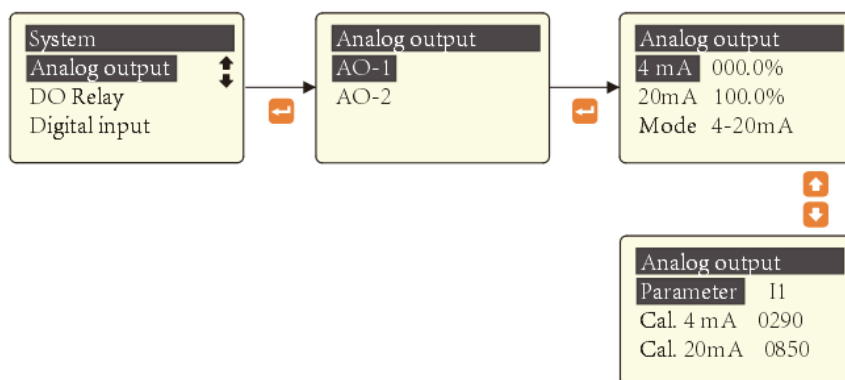
Dip: Voltage dip time
 Delay: Delay timer to process Voltage dip restart logic



Notes:

1. EnergoM-PR260 support max 3 communication port, COMM-1 on module-B, default is RS485.
2. COMM-2 and COMM-3 in EnergoM-PR260-C expand module, can choose Profi-bus or RS485, please contact sales team for more details.

6.5.3 - Analog output

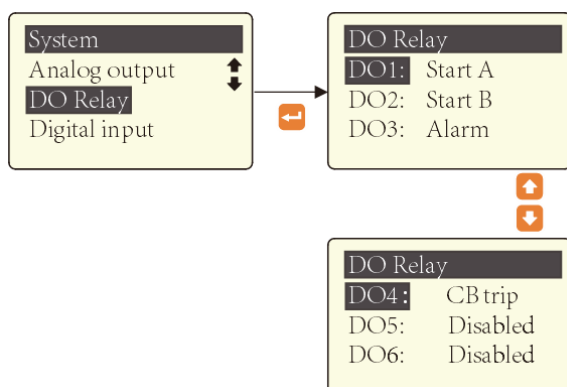


This screen is for calibration use, Blue Jay already calibrated in factory. User no need to extra calibrate again.

Caution: If need to re-calibrate, please contact technical team to get admin password.

6.5.4 - Digital output setting

Energom-PR260 provide flexible external control methods, there main body have 4*DO port, free to definition 8 type trip status:



Trip	To trip Motor control contactor
CB trip	To trip main circuit breaker, Trip threshold see chapter 6.5.2
Alarm	When any of the Protection Mode triggered, will active
Start A	Start motor as Button Start A (Refer to Chapter 5.3) In "Forward and reverse start" mode, Motor start in forward rotation In "Two-winding start" mode, Motor start in winding-1(low speed)
Start B	Start motor as Button Start B (Refer to Chapter 5.3) In "Forward and reverse start" mode, Motor start in reverse rotation In "Two-winding start" mode, Motor start in winding-2(high speed)
Link R1	When Energom-PR260 action by protection trip, the configured DO port also synchronous act. Must configuration in Protection Mode (see chapter 6.4) Enable to active.
Link R2	
Link R3	

Energom-PR260 support parallel start and stop working mode, called "Pulse Start", that set Trip function in DO-1, then can start motor via external switch, pulse start is special wiring mode, can work with other start mode, typical wiring drawing please refer to [chapter 8.7](#).

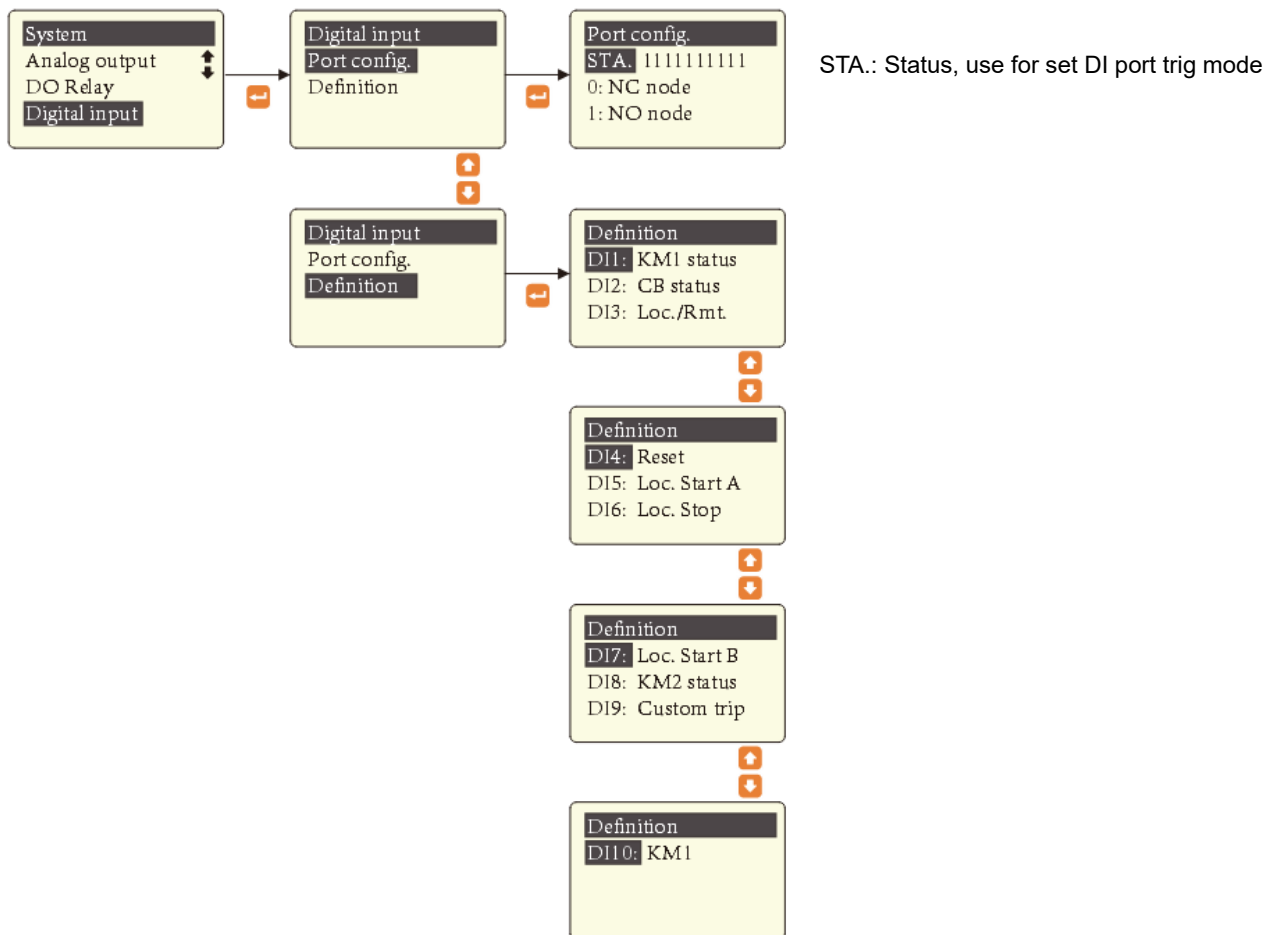
Note:

Only DO-1 support config. "Trip" for pulse start model, other DO can set Start A or Start B for different start model.

6.5.5 - Digital input setting

Energom-PR260 definition 18 items of DI function, with DO setting can build many different motor control wiring and alarm signal.

To active the DI functions, please set DI port “Enable” under Control sub-menu, valid status of the DI port can be set under Port config. Page.



Items	Functions	Notes
Loc./Rmt.	Selection of Local / Remote control DI closed (Register set 1) for remote control mode, only can start motor by MODBUS command DI open (Register set 0) for local control mode, can start motor by HMI	/
Loc. Start A	Same function with Star A button	Affect by Local/Remote select Only valid in Local status
Loc. Start B	Same function with Star B button	
Loc. Stop	Same function with Stop button	
Rmt. Start A	Same function with Star A button	Affect by Local/Remote select Only valid in Remote status
Rmt. Start B	Same function with Star B button	
Rmt. Stop	Same function with Stop button	

Reset	Same function with Reset button: To release alarm and reset DO port to non-tripped status, when motor in Stopped status.	Do not affect by Local/Remote select
Start A	Same function with Star A button	
Start B	Same function with Star B button	
Stop	Same function with Stop button	
Emerg. Stop	Emergency stop signal, when triggered will stop motor immediately.	
CB status	Circuit breaker status input	Used for Wire detect judgement (refer to chapter 6.5)
KM1 status	Contact coil status input	
KM2 status	Contact coil status input	
KM3 status	Contact coil status input	
General	Regular ON/OFF status input, show state in register map	/
Custom trip	Active "custom trip" by external signal	/

6.5.6 – Sub menu-4



7. - PROTECTION FUNCTION INTRODUCTION

7.1- Start overtime protection

Start overtime protection provides protection of motor during starting period. After motor in regular running period, start overtime protection will automatically exit.

Protective action logic:

After Start timer countdown to 0, either of the following two condition will trig protect action.

1. Three-phase average current ≥ 1.1 times the motor rated current (Ie) **OR**
2. Three-phase average current $\leq 10\%$ of the motor rated current (Ie)

Parameters:

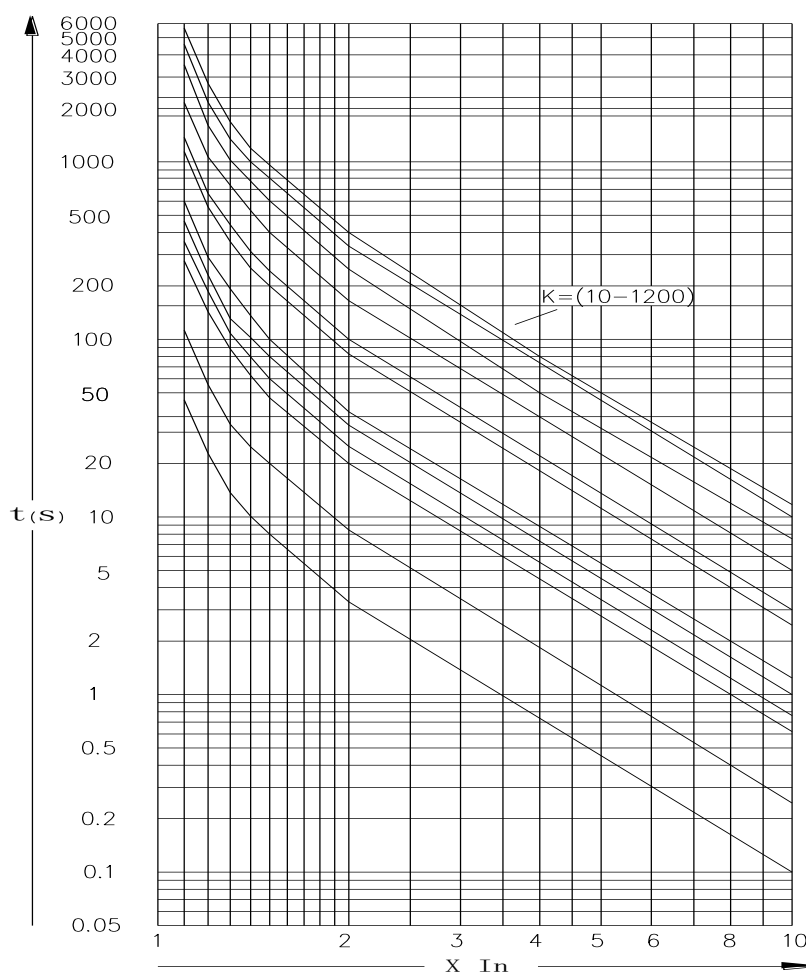
Protect action	OFF / Alarm / Trip DO
Start timer	1.0 ~ 600.0s
Action delay	0

7.2- Overload protection

Device can calculate used thermal capacity (UTC) of the motor to avoid motor from overheating damage. Internal program simulates the used thermal capacity of the motor in a variety of operating conditions, can real-time monitoring of motor heating conditions. Ensure effective protection of the repeated starting of the motor overheating condition continuous run.

Device provide 12 inverse time protection curves; user can select suitable curve for different motor working condition.

Inverse-time formula	$t = \frac{K}{\left(\frac{I}{I_e}\right)^2 - 1}$	t Operating inverse time
		I Motor working current value
		I_e Motor rated current
		K K factor curve need set



Overload inverse time curve

Typical trip time in different K factor and protection class

K factor	Class	I/le = 1.0	I/le 1.2	I/le 1.5	I/le 7.2
125	10S	Without trip in 2h	Trip in 1h	Tp≤2min	2s<Tp≤10s
250, 300	10			Tp≤4min	4s<Tp≤10s
500	20			Tp≤8min	6s<Tp≤20s
750	30			Tp≤12min	9s<Tp≤30s

Overload inverse time curve quick select chart (time unit: sec)

$\frac{K}{I/le}$	10	25	60	75	100	125	250	300	500	750	1000	1200
1.1	47.62	119.05	285.71	357.14	476.19	595.24	1190.48	1428.57	2380.95	3571.43	4761.90	5714.28
1.2	22.73	56.82	136.36	170.45	227.27	284.09	568.18	681.82	1136.36	1704.55	2272.73	2727.27
1.3	14.49	36.23	86.96	108.70	144.93	181.16	362.32	434.78	724.64	1086.96	1449.28	1739.13
1.4	10.42	26.04	62.50	78.13	104.17	130.21	260.42	312.50	520.83	781.25	1041.67	1250.00
1.5	8.00	20.00	48.00	60.00	80.00	100.00	200.00	240.00	400.00	600.00	800.00	960.00
2.0	3.33	8.33	20.00	25.00	33.33	41.67	83.33	100.00	166.67	250.00	333.33	400.00
2.5	1.90	4.76	11.43	14.29	19.05	23.81	47.62	57.14	95.24	142.86	190.48	228.57
3.0	1.25	3.13	7.50	9.38	12.50	15.63	31.25	37.50	62.50	93.75	125.00	150.00
3.5	0.89	2.22	5.33	6.67	8.89	11.11	22.22	26.67	44.44	66.67	88.89	106.67
4.0	0.67	1.67	4.00	5.00	6.67	8.33	16.67	20.00	33.33	50.00	66.67	80.00
4.5	0.52	1.30	3.12	3.90	5.19	6.49	12.99	15.58	25.97	38.96	51.95	62.34
5.0	0.42	1.04	2.50	3.13	4.17	5.21	10.42	12.50	20.83	31.25	41.67	50.00
5.5	0.34	0.85	2.05	2.56	3.42	4.27	8.55	10.26	17.09	25.64	34.19	41.03
6.0	0.29	0.71	1.71	2.14	2.86	3.57	7.14	8.57	14.29	21.43	28.57	34.29
6.5	0.24	0.61	1.45	1.82	2.42	3.03	6.06	7.27	12.12	18.18	24.24	29.09
7.0	0.21	0.52	1.25	1.56	2.08	2.60	5.21	6.25	10.42	15.63	20.83	25.00
7.2	0.20	0.49	1.18	1.48	1.97	2.46	4.92	5.90	9.83	14.75	19.67	23.60
7.5	0.18	0.45	1.09	1.36	1.81	2.26	4.52	5.43	9.05	13.57	18.10	21.72
8.0	0.16	0.40	0.95	1.19	1.59	1.98	3.97	4.76	7.94	11.90	15.87	19.05

Parameters:

Protect action	OFF / Alarm / Trip DO
K factor value	10 ~ 1200
Cool down timer ⁽¹⁾	1 ~ 1200 min
Overload reset method ⁽²⁾	Auto reset / Force cooling



(1) Cool down timer:

After motor stop, the cool down timer countdown to simulated the motor cools to a safe state process; the definition of the cooling time is to reach steady state of ambient temperature (the maximum allowable temperature) when motor overload trip.


Typically, suggest cool down timer set “30 minutes” to let motor cooled completely.

(2) Overload reset method:

If protect action select [Trig DO], After relay tripped there have two ways reset motor to next working cycle (Standby status):

Automatic	Wait UTC < 15%, press  button to reset status directly
Manual	Wait UTC < 15% AND [Cool down timer] countdown to 0, press  button to reset status.

Notes:

1. If overload protection triggered after UTC > 15%, press **Stop** will invalid, HMI still show “Overload”; Must reset UTC to 0%, then press **Stop** to Standby status.
2. Press and hold  3 seconds can reset UTC to 0%.
3. Used thermal capacity (UTC) displayed on HMI ([chapter 5.1](#)), or read from register 0x0D.

7.3 - Phase loss protection

Any two phase current > 25% Rated current, **AND** the other phase current < 12.5% Rated current, the phase failure protection will be activated.

Parameters:

Protect action	OFF / Alarm / Trip DO
Action delay	0.1 ~ 50.0 s

Note:

This protection will valid in both starting and running period.

7.4 - Jam in running protection (stall)

It aims to prevent serious jam of motor-driven equipment or damage to the motor due to overheating and overloading of the motor.

Motor measured current > Threshold set value

Parameters:

Protection mode	OFF/Alarm/Trip
Threshold	100 ~ 1000% I _e
Trip delay	0.5 ~ 50.0 s

Note:

Only valid in regular running period.

7.5 - Current imbalance protection

$I_{im} > \text{Threshold set value}$

Current imbalance protection based on the maximum phase current imbalance to determine whether to start phase unbalance protection function. Current unbalance is calculated as follows:

$$I_{im} = \frac{|I_{max} - I_{avg}|}{I_{avg}} \times 100\% \quad \text{or} \quad I_{im} = \frac{|I_{min} - I_{avg}|}{I_{avg}} \times 100\%$$

I_{im}	Three-phase current imbalance
I_{max}	Maximum phase current in the real-time measurement of three-phase
I_{min}	Minimum phase current in the real-time measurement of three-phase
I_{avg}	Three-phase average current

Parameters:

Protect action	OFF / Alarm / Trip DO
Threshold	5 ~ 60%
Action delay	0.1~ 50.0 s

Note:

When the three-phase average current (I_{avg}) is less than the motor rated current (I_e), in formula $I_{avg} = I_e$

7.6 - Underload protection

Underload protection is mainly aimed at the situation that the load carried by the motor may have abnormal mutations, such as belt breakage or water pump idling.

Underload protection can generally be set as an alarm to remind the staff to pay attention. This function is only valid in regular running period.

Parameters:

Protect action	OFF / Alarm / Trip DO
Threshold	20 ~ 100% Ie
Action delay	0.5 ~ 60.0 s

7.7 - Jam in starting protection (rotor locked)

Motor measured current > Threshold set value

Parameters:

Protect action	OFF / Alarm / Trip
Threshold	100 ~ 1000% Ie
Action delay	0.5 ~ 50.0 s

Note:

Only valid in starting period.

7.8 - Ground fault protection

The magnitude of the leakage current depends on the position of the fault point on the coil of the motor. It is desirable to set a low leakage current fault action value to protect as many stator coils as possible and prevent the motor casing from becoming dangerous due to electrification.

In the direct grounding system, the action time should be set as short as possible to avoid system damage; in the grounding system through resistance, the leakage current value is limited in a safer range, and a longer action time can be selected.

Parameters:

Protect action	OFF / Alarm / Trig DO
Threshold ⁽¹⁾	10 ~ 100%I _r
Action delay ⁽²⁾	0.1 ~ 5.0 s

Notes:

1. When the residual current mode is set to built-in, the controller calculates the residual current according to the three-phase current vector sum.
2. When the residual current mode is external, the controller measures the residual current according to the external residual current transformer.

7.9 - Over temperature protection

Device accept 1pcs NTC or PTC sensor for temperature measurement, provide original resistance parameters value.

Measured resistor > Threshold set value

Parameters:

Protect action	OFF / Alarm / Trip DO
Probe type	NTC / PTC
Threshold	0.1 ~ 30KΩ
Hysteresis	0.1 ~ 30KΩ

7.10 - Short circuit protection

The protection is performed when motor occurred incorrectly wiring or line is damaged that caused short circuit.

Parameters:

Protect action	OFF / Alarm / Trip DO
Threshold	100 ~ 1000%Ie
Trip delay	0.1 ~ 50.0s

Note:

Blue Jay suggest set threshold in large value, and short trip delay time.

Set protect threshold = Contactor trip threshold (0x308). CB will trip priority than contactor.

7.11 - Over voltage protection

Any of the three phase voltage > Threshold set value

Parameters:

Protect action	OFF / Alarm / Trip DO
Threshold	105 ~ 150% Ue
Trip delay	0.1 ~ 50.0s

Notes: This protection will valid in both starting and running period.

7.12 - Under voltage protection

Any of the three phase voltage < Threshold set value

Parameters:

Protect action	OFF / Alarm / Trip DO
Threshold	50 ~95% Ue
Trip delay	0.1 ~ 50.0s

Notes:

- 1.This protection will valid in both starting and running period. If enabled voltage dip restart function ([chapter 7.16](#)), under voltage protection will automatically disable.
- 2.Enable under voltage protection can open Auto Restart function, this function used in some special application scenarios, by **ignoring the under voltage protection** caused by system voltage dip, let motor can be automatically restarted after the voltage recovered.

7.13 - Abnormal frequency protection

Frequency > Upper threshold set value **OR**

Frequency < Lower threshold set value

Parameters:

Protect action	OFF / Alarm / Trip DO
Upper threshold	50.00 ~ 55.00Hz
Lower threshold	45.00 ~ 50.00Hz
Trip delay	0.1 ~ 50.0s

7.14 - Abnormal power factor protection

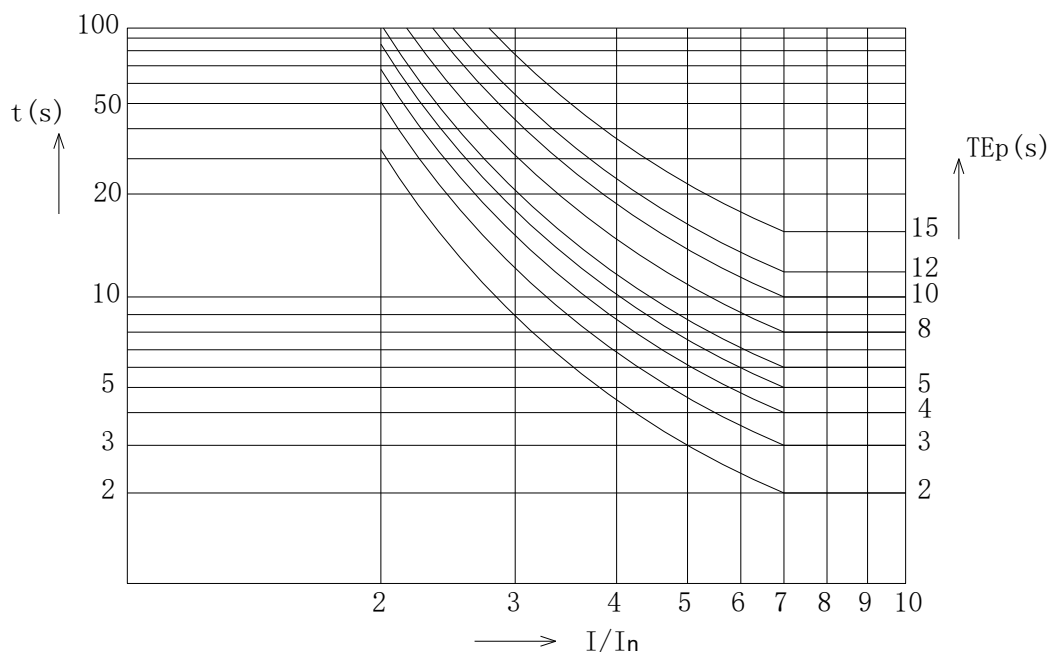
Power factor < Threshold set value

Parameters:

Protect action	OFF / Alarm / Trig DO
Threshold	20 ~95%
Trip delay	0.1 ~ 60.0s

7.15. - tE protection

The tE protection function used for increased safety type motor(GB3836.3-2000), it valid in both starting and running period. tE time protection fault must be reset manually. It cannot be valid with overload protection (**Chapter 7.12**) at the same time.



tE tripping characteristic

Note:

To ensure that the regular overload protection act before tE trap time, we suggest choose lower inverse time curve in overload protection, typically less 15%.

Parameters:

Protect action	OFF / Alarm / Trip DO
Trip setting value $t_{Ep}^{(1)}$	0.1 ~ 15.0 s

(1) Real trip delay value = Set t_{Ep} * $t_{Ep}[1.0s]$

Example: Set t_{Ep} = 5, $I/I_n=3.4$

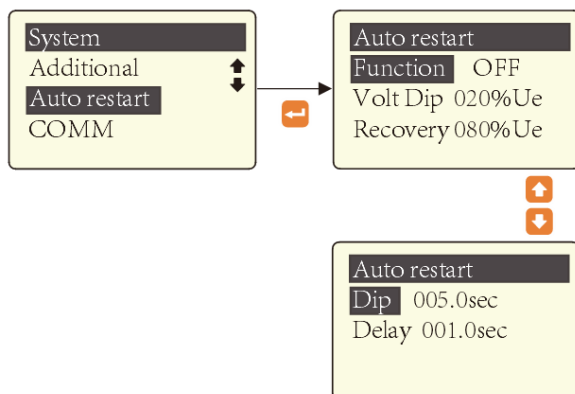
Trip delay timer = 15.4sec

tEp setting value quick select chart (time unit: sec)

I/I_e \ tEp	1.0(s)	4.0(s)	4.3(s)	4.6(s)	5.0(s)	5.5(s)	6.0(s)	15.0(s)
3.00	4.00	16.00	17.20	18.40	20.00	22.00	24.00	60.00
3.20	3.48	13.92	14.96	16.01	17.40	19.14	20.88	52.20
3.40	3.08	12.32	13.24	14.17	15.40	16.94	18.48	46.20
3.60	2.76	11.04	11.87	12.70	13.80	15.18	16.56	41.40
3.80	2.50	10.00	10.75	11.50	12.50	13.75	15.00	37.50
4.00	2.29	9.16	9.85	10.53	11.45	12.60	13.74	34.35
4.20	2.11	8.44	9.07	9.71	10.55	11.61	12.66	31.65
4.40	1.95	7.80	8.39	8.97	9.75	10.73	11.70	29.25
4.60	1.82	7.28	7.83	8.37	9.10	10.01	10.92	27.30
4.80	1.70	6.80	7.31	7.82	8.50	9.35	10.20	25.50
5.00	1.60	6.40	6.88	7.36	8.00	8.80	9.60	24.00
5.20	1.51	6.04	6.49	6.95	7.55	8.31	9.06	22.65
5.40	1.43	5.72	6.15	6.58	7.15	7.87	8.58	21.45
5.60	1.36	5.44	5.85	6.26	6.80	7.48	8.16	20.40
5.80	1.29	5.16	5.55	5.93	6.45	7.10	7.74	19.35
6.00	1.23	4.92	5.29	5.66	6.15	6.77	7.38	18.45
6.20	1.18	4.72	5.07	5.43	5.90	6.49	7.08	17.70
6.40	1.13	4.52	4.86	5.20	5.65	6.22	6.78	16.95
6.60	1.08	4.32	4.64	4.97	5.40	5.94	6.48	16.20
6.80	1.04	4.16	4.47	4.78	5.20	5.72	6.24	15.60
7.00	1.00	4.00	4.30	4.60	5.00	5.50	6.00	15.00
8.00	1.00	4.00	4.30	4.60	5.00	5.50	6.00	15.00

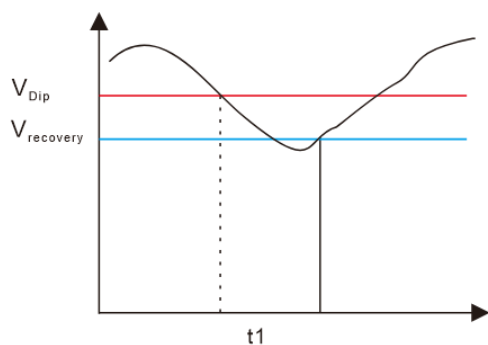
7.16. – Voltage dip restart function

Protector can automatic restart motor when encounter short time voltage reduce and recovery. There has an internal timer to judgment auto restart or keep motor stopped status.



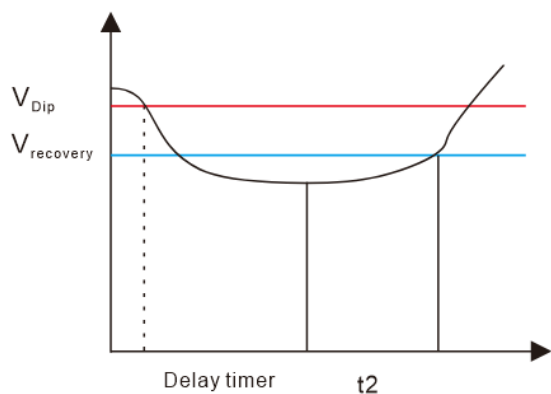
Voltage dip threshold	50% ~ 100%Ue; Set "0" to disable this function Default 80%Ue	Register 0x20C
Voltage recovery threshold	50% ~ 100%Ue; Set "0" to disable this function Default 80%Ue	Register 0x20D
Voltage dip timer	0.1s ~ 60.0s Default 5.0s	Register 0x20E
Restart delay timer	0.1 ~ 60.0s Default 0.1s	Register 0x20F

When $V_{detect} < \text{Voltage Dip threshold}$, a delay timer will start count down



If $\Delta t=t1 < \text{Restart delay timer (Delay in HMI)}$
 $V_{detect} > \text{Voltage recovery threshold}$

The restart logic will not be triggered



If $\Delta t = \text{Delay timer} + t_2$;

Protector will process Restart logic:

After delay timer, DO-1 and DO-2 opened, fault alarm DO-3 closed (if already configured),

then Voltage dip timer (t_2) start accounting.

If $t_2 < \text{Voltage dip timer}$, $V_{\text{detect}} > \text{Voltage recovery threshold}$;

Protector will automatic restart motor after Restart delay timer.

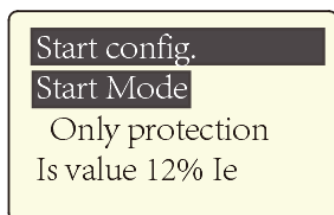
If $t_2 > \text{Voltage dip timer}$, $V_{\text{detect}} < \text{Voltage recovery threshold}$,

Protector will stay in "Under voltage protection" status;

LED indicator failure ON, must press button **Reset** before next starting cycle.

Notes:

1. Start config. set Start Mode to "Only protection",



Protector can work in Anti voltage dip restart, please refer to [chapter 7.17](#)

2. When set Auto restart function "**OFF**", DO status will reset after power recovery.

7.17. - Anti voltage dip function

Protector can equip super-cap, this hardware provides around 5sec power hold function when voltage loss too low, see [chapter 3.1](#).

In this hardware **ON** Restart function:

Situation A:

Start config. set Start Mode to "Only protection"

When $V_{\text{detect}} < \text{Voltage Dip threshold}$, then Voltage dip timer start accounting.

Before timer count down to zero

$V_{\text{detect}} > \text{Voltage recovery threshold}$;

Protector will close DO-2 (Restart relay) to let motor restart, must wiring as reference drawing in [chapter 8.1](#).

After timer count down to zero

$V_{\text{detect}} < \text{Voltage recovery threshold}$,

Protector will keep motor stopped status, do not process auto restart.

Situation B:

Start config. set Start Mode to other mode, same logic of Voltage dip restart, see [chapter 7.16](#).

In this hardware **OFF** Restart function:

Situation C:

Start config. set Start Mode to "Only protection", protector no act when power loss.

Situation D:

Start config. set Start Mode to other mode, When $V_{\text{detect}} < \text{Voltage Dip threshold}$,

Protector can keep DO1/DO2 status, KM of contactor always powered during voltage dip. Motor keep original running status.

7.18. - Custom trip function

The user provides a pair of passive contacts to the device, which are connected to the "custom trip" DI (it needs to be configured), and will act after a set delay. Protection can choose to trip or alarm.

8. - MOTOR START MODE INTRODUCTION

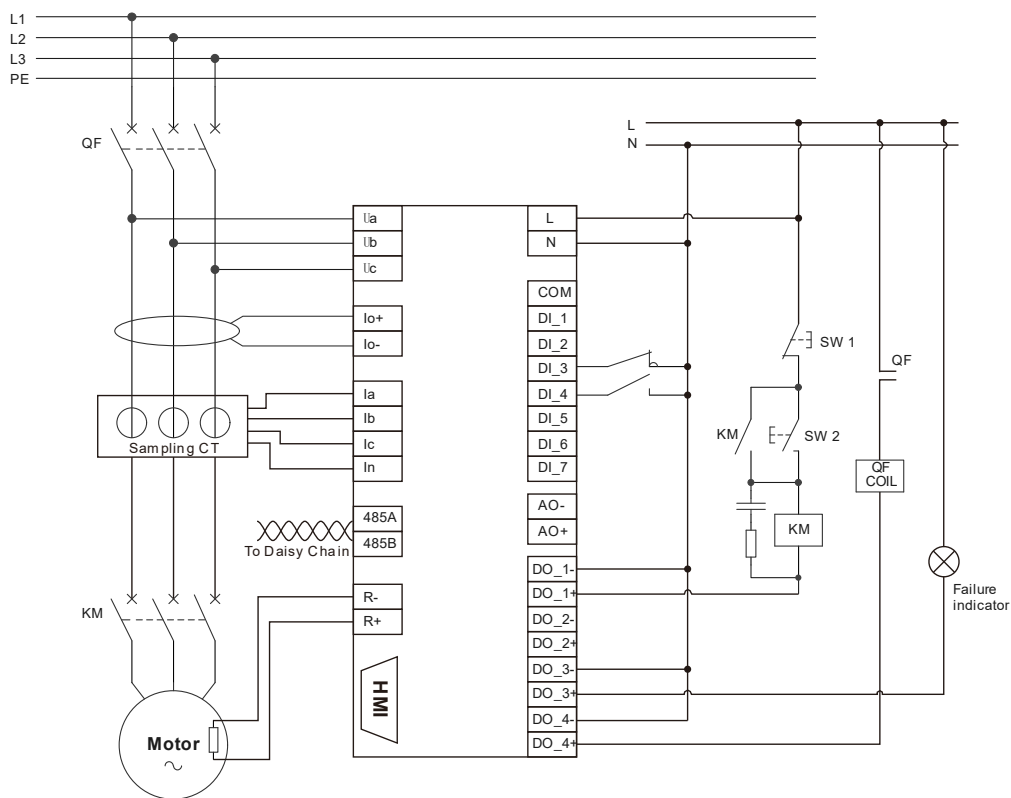
8.1.- Only protection mode

Terminal	Description	
DI1	Universal signal input	1. After device powered ON, DO1 act, enters [Standby] state, HMI show "Full voltage"
DI2	Universal signal input	
DI3	DI3 closed for HMI panel control; DI3 opened for remote control	If wiring is wrong, HMI show "Wring Error", and failure alarm relay DO3 closed;
DI4	External "Start" switch status	If wiring is correct, enters [Standby] state, HMI show "Full voltage".
DI5	Universal signal input	2. When press external start button (SW2), KM loops picks up and latched. Motor powered up enter [Starting] period: In [Starting] period, "Start" light ON, HMI show "Starting"; After Starting period, "Start" light OFF, "Runs" light ON, HMI show "Running".
DI6	Universal signal input	
DI7	Universal signal input	
		3. When press external stop button (SW1), OR there have protection tripping action:
DO1	To contractor (KM)	DO1 released, KM opened, motor stopped and in [Cooling] period, used thermal capacity (UTC) drops.
DO2	/	4. After UTC<15%, enters [Standby] state, HMI show "Full voltage".
DO3	Motor failure alarm output	
DO4	To trip CB (QF)	

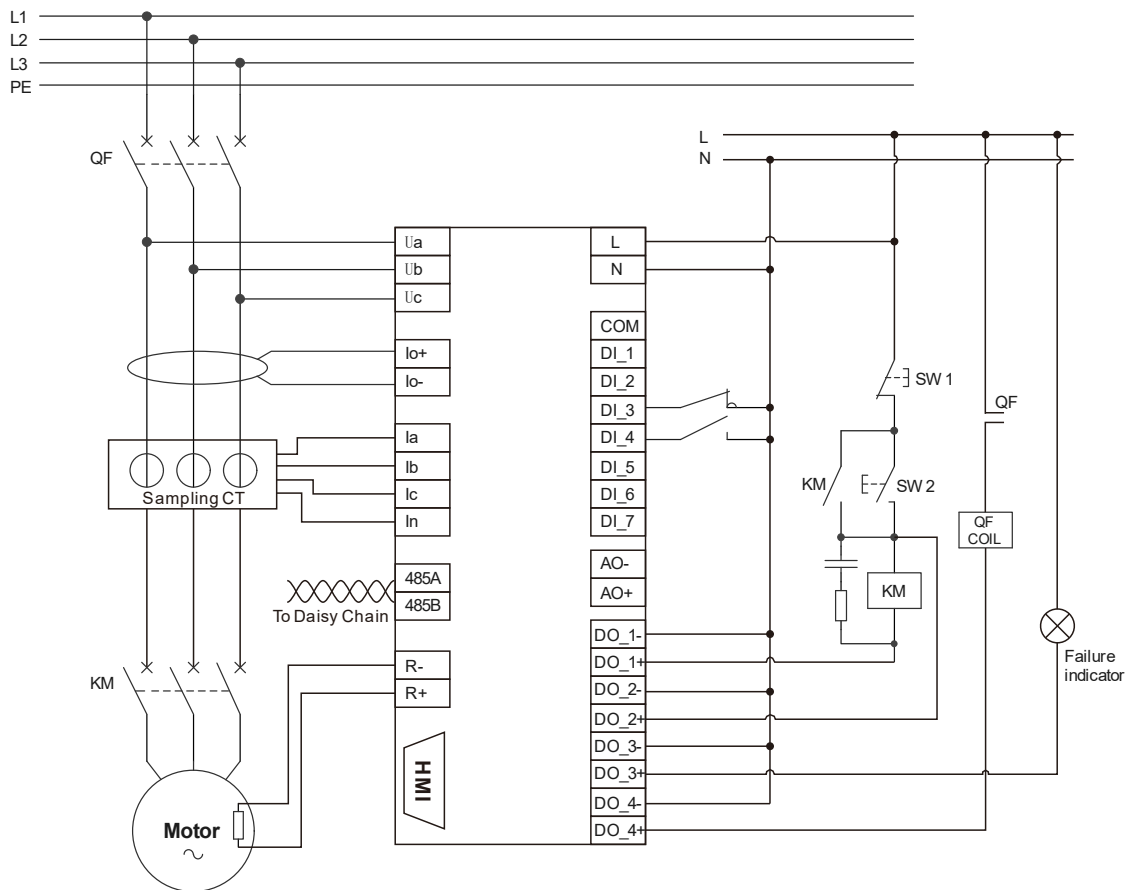
Notes:

- Control unit build in protect CT, Sampling CT in drawing:
Motor rated current < 100A, power line can directly cross through the sampling core on control unit body.
Motor rated current > 100A, need external .../5A protect CT, external CT secondary wire cross through the sampling core on control unit body. (need configuration in HMI or register 0x201, 0x202)
- If protector detect failure protect current > Contactor breaking current, there will judgment short circuit protection ([chapter 7.10](#)). DO1 will keep closed until DO4 act and CB tripped (QF), after delay timer then can act DO1 to disconnect contactor (KM).
- In failure tripping, must use "Reset" switch looped to DI4 or "Reset" button on HMI to erase failure alarm then DO1 can act again to enter **[Standby]** state.

Typical wiring



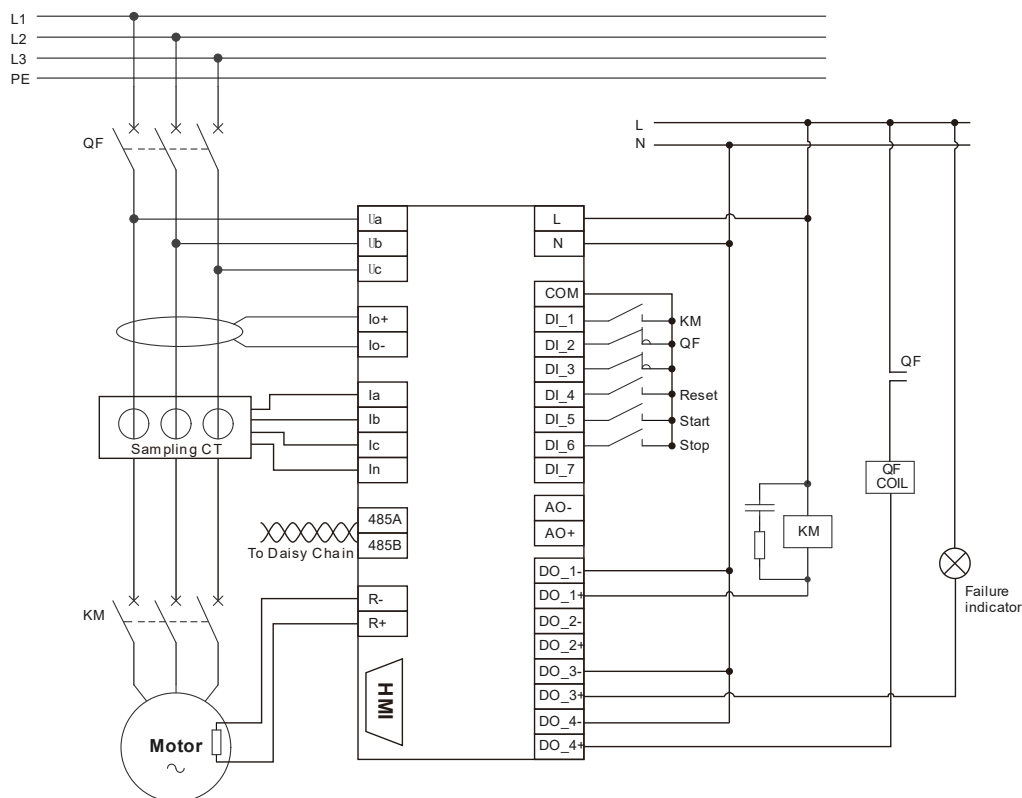
Notes: If enable voltage dip auto restart function ([chapter 7.16](#)), please refer following:



8.2. - Full voltage start mode

Terminal	Description	
DI1	Contactor (KM) status	<p>1. After device powered ON, detect contactor (KM) state: If wiring is wrong, HMI show "Wring Error", and failure alarm relay DO3 closed;</p> <p>If wiring is correct, enters [Standby] state, HMI show "Full voltage".</p>
DI2	Circuit Breaker (QF) status	
DI3	DI3 closed for HMI panel control; DI3 opened for external control	
DI4	External "Reset" switch status	
DI5	External "Start" switch status	
DI6	External "Stop" switch status	
DI7	Universal signal input	
DO1	To contractor (KM)	<p>2. When device received "Motor Start" signal, DO1 will act, then trig KM closed, motor powered up enter [Starting] period: In [Starting] period, "Start" light ON, HMI show "Starting"; After Starting period, "Start" light OFF, "Runs" light ON, HMI show "Running".</p> <p>3. When device received "Motor Stop" signal, OR there have protection tripping action: DO1 released, KM will open, motor stopped and in [Cooling] period, thermal capacity (UTC) drops.</p> <p>4. After UTC<15%, enters [Standby] state, HMI show "Full voltage".</p> <p>Notes: In failure tripping, must use "Reset" switch looped to DI4 or "Reset" button on HMI to erase failure alarm.</p>
DO2	/	
DO3	Motor failure alarm output	
DO4	To trip CB (QF)	

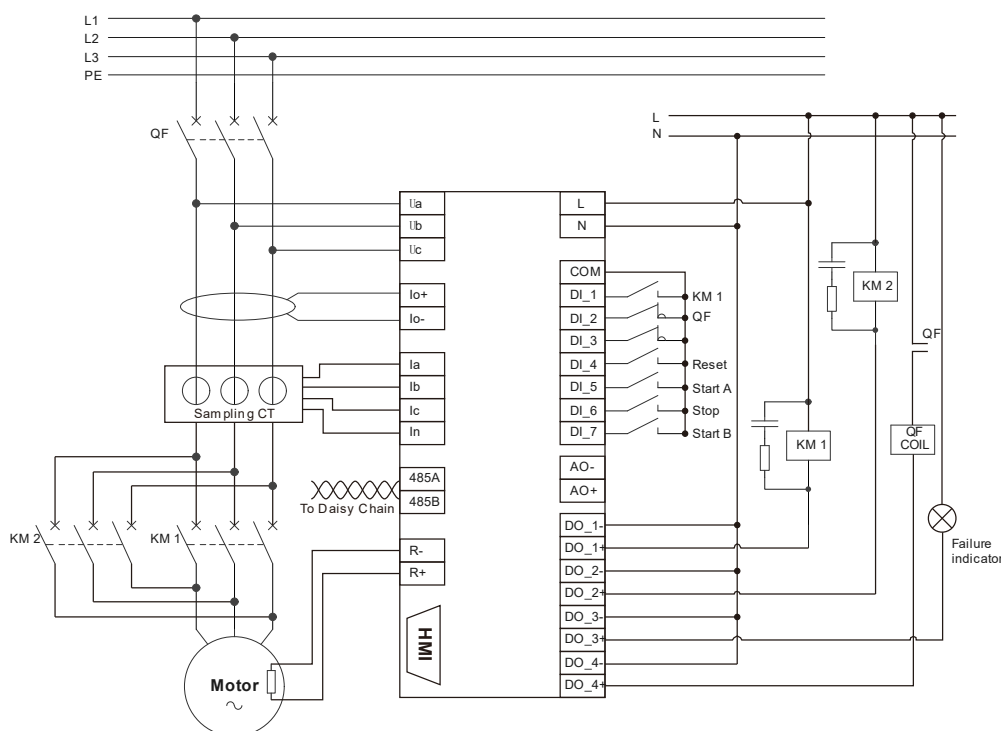
Typical wiring



8.3. - Forward and reverse start mode

Terminal	Description	
DI1	Contactor (KM1) status	<p>1. After device powered ON, detect contactor (KM1) state: If wiring is wrong, HMI show "Wring Error", and failure alarm relay DO3 closed;</p> <p>If wiring is correct, enters [Standby] state, HMI show "Forward / Reverse".</p> <p>2.A. When device received "Motor Start A" signal, DO1 will act, then trig KM1 closed. Motor powered up enter [Starting] period, "Start" light ON, HMI show "Forward Starting";</p> <p>After Starting timer (0x32F) count down to 0, Motor enter normal runs status, "Start" light OFF, "Runs" light ON, HMI show "Running".</p>
DI2	Circuit Breaker (QF) status	
DI3	DI3 closed for HMI panel control; DI3 opened for remote control	
DI4	External "Reset" switch status	
DI5	External "Start A" switch status	
DI6	External "Stop" switch status	
DI7	External "Start B" switch status	
DO1	To contractor (KM1)	<p>2.B. When device received "Motor Start B" signal, DO2 will act, then trig KM2 closed. Motor powered up enter [Starting] period, "Start" light ON, HMI show "Reverse Starting";</p> <p>After Starting timer (0x32F) count down to 0, Motor enter normal runs status, "Start" light OFF, "Runs" light ON, HMI show "Running".</p>
DO2	To contractor (KM2)	
DO3	Motor failure alarm output	
DO4	To trip CB (QF)	<p>3. When device received "Motor Stop" signal, OR there have protection tripping action. DO1 or DO2 released, KM1 or KM3 will opened, motor stopped and in [Cooling] period, used thermal capacity (UTC) drops.</p> <p>4. After UTC<15%, enters [Standby] state, HMI show "Forward / Reverse".</p>

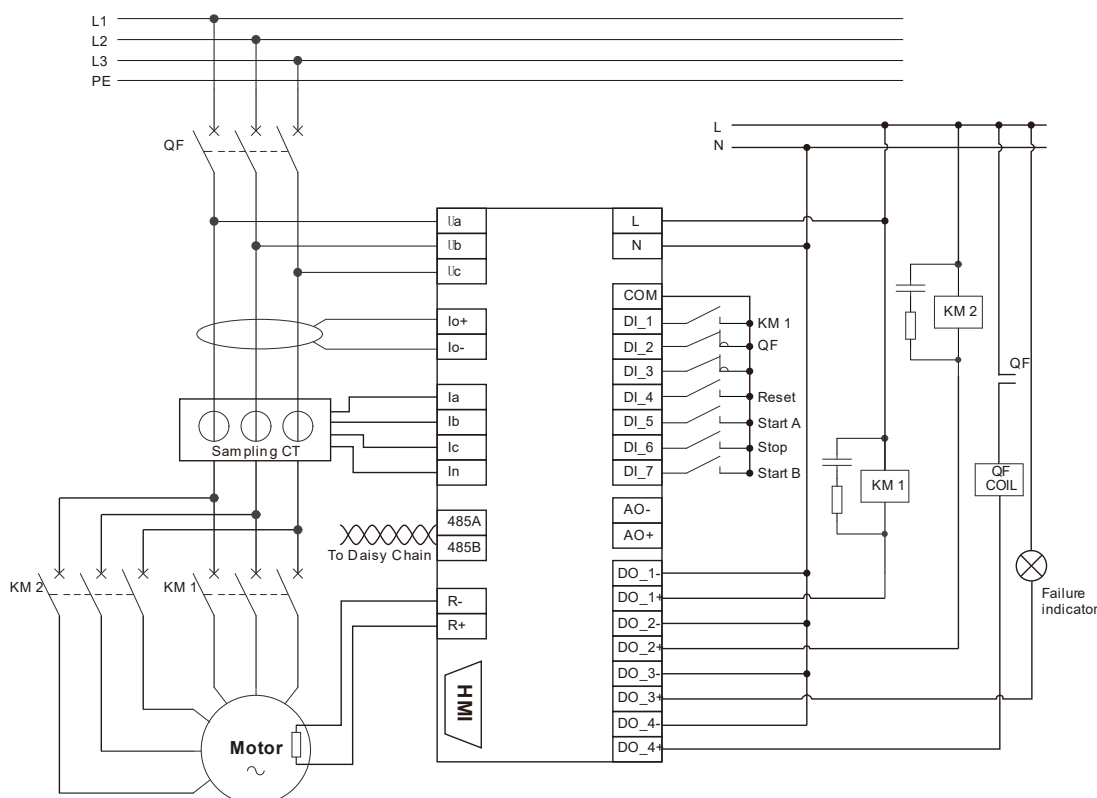
Typical wiring



8.4. - Two-winding start mode

Terminal	Description	
DI1	Contactor (KM1) status	<p>1. After device powered ON, detect contactor (KM1) state: If wiring is wrong, HMI show "Wring Error", and failure alarm relay DO3 closed; If wiring is correct, enters [Standby] state, HMI show "Two-Winding".</p> <p>2.A. When device received "Motor Start A" signal, DO1 will act, then trig KM1 closed. Motor powered up enter [Starting] period, "Start" light ON, HMI show "Low Starting"; After Starting timer (0x32F) count down to 0, Motor enter normal runs status, "Start" light OFF, "Runs" light ON, HMI show "Running".</p> <p>2.B. When device received "Motor Start B" signal, DO2 will act, then trig KM2 closed. Motor powered up enter [Starting] period, "Start" light ON, HMI show "High Starting"; After Starting timer (0x32F) count down to 0, Motor enter normal runs status, "Start" light OFF, "Runs" light ON, HMI show "Running".</p> <p>3. When device received "Motor Stop" signal, OR there have protection tripping action. DO1 or DO2 released, KM1 or KM3 will opened, motor stopped and in [Cooling] period, used thermal capacity (UTC) drops.</p> <p>4. After UTC<15%, enters [Standby] state, HMI show "Two-Winding".</p>
DI2	Circuit Breaker (QF) status	
DI3	DI3 closed for HMI panel control; DI3 opened for remote control	
DI4	External "Reset" switch status	
DI5	External "Start A" switch status	
DI6	External "Stop" switch status	
DI7	External "Start B" switch status	
DO1	To contractor (KM1)	
DO2	To contractor (KM2)	
DO3	Motor failure alarm output	
DO4	To trip CB (QF)	

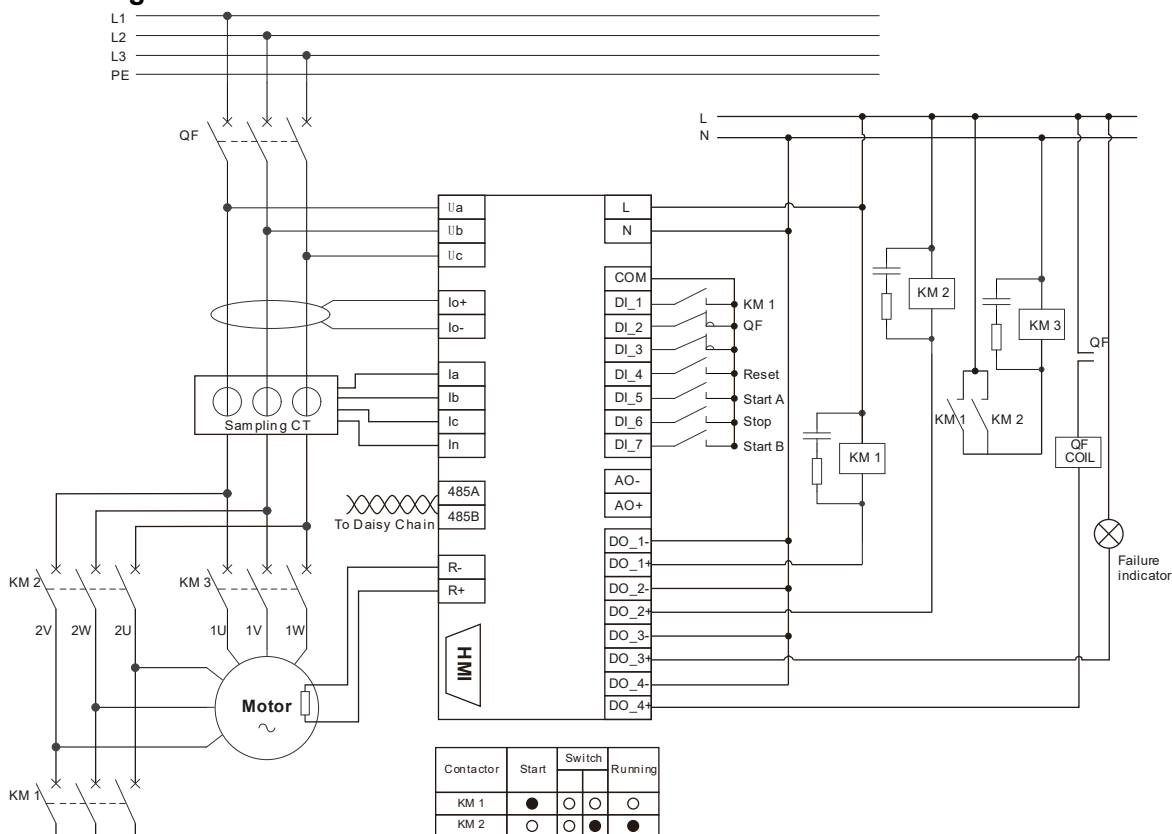
Typical wiring



8.5. - Wye-delta transition mode

Terminal	Description	
DI1	Contactor (KM1) status	<p>1. After device powered ON, detect contactor (KM1) state: If wiring is wrong, HMI show "Wring Error", and failure alarm relay DO3 closed;</p> <p>If wiring is correct, enters [Standby] state, HMI show " Wye-Delta".</p> <p>2. When device received "Motor Start" signal, DO1 will act, then trig KM1, KM3 closed, motor powered up enter [Starting] period, "Start" light ON, HMI show "Starting";</p> <p>3. After Starting timer (0x32F) count down to 0, DO1 released, DO2 act, trig KM2, KM3 closed. Motor in normal runs status. "Start" light OFF, "Runs" light ON, HMI show "Running".</p> <p>4. When device received "Motor Stop" signal, OR there have protection tripping action: DO2 released, KM2, KM3 will opened, motor stopped and in [Cooling] period, used thermal capacity (UTC) drops.</p> <p>5. After UTC<15%, enters [Standby] state, HMI show "Wye-Delta".</p>
DI2	Circuit Breaker (QF) status	
DI3	DI3 closed for HMI panel control; DI3 opened for remote control	
DI4	External "Reset" switch status	
DI5	External "Start" switch status	
DI6	External "Stop" switch status	
DI7	Universal signal input	
DO1	To protect contractor (Relay A)	
DO2	To protect contractor (Relay B)	
DO3	Motor failure alarm output	
DO4	To trip CB (QF)	

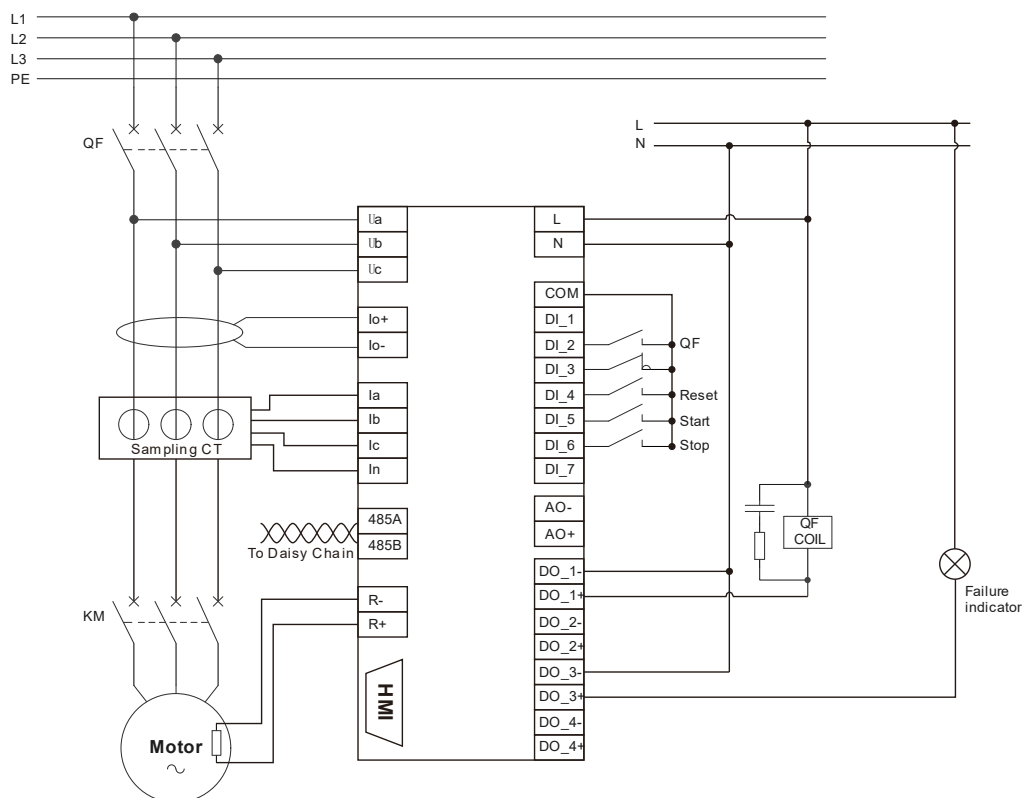
Typical wiring



8.6 - Circuit breaker directly start mode

Terminal	Description	
DI1	Universal signal input	<p>1. After device powered ON, detect circuit breaker(QF) state: If wiring is wrong, HMI show "Wring Error", and failure alarm relay DO3 closed;</p> <p>If wiring is correct, enters [Standby] state, HMI show "CB Direct".</p> <p>2. When device received "Motor Start" signal, DO1 will act, then trig QF closed, motor powered up enter [Starting] period:</p> <p>In [Starting] period, "Start" light ON, HMI show "Starting"; After Starting period, "Start" light OFF, "Runs" light ON, HMI show "Running".</p> <p>3. When device received "Motor Stop" signal, OR there have protection tripping action: DO1 will released, QF will opened, motor stopped and in [Cooling] period, used thermal capacity (UTC) drops.</p> <p>4. After UTC<15%, enters [Standby] state, HMI show "CB Direct".</p> <p>Notes: In failure tripping, must use "Reset" switch looped to DI4 or "Reset" button on HMI to erase failure alarm.</p>
DI2	Circuit Breaker (QF) status	
DI3	DI3 closed for HMI panel control; DI3 opened for external control	
DI4	External "Reset" switch status	
DI5	External "Start" switch status	
DI6	External "Stop" switch status	
DI7	Universal signal input	
DO1	To contractor	
DO2	/	
DO3	Motor failure alarm output	
DO4	/	

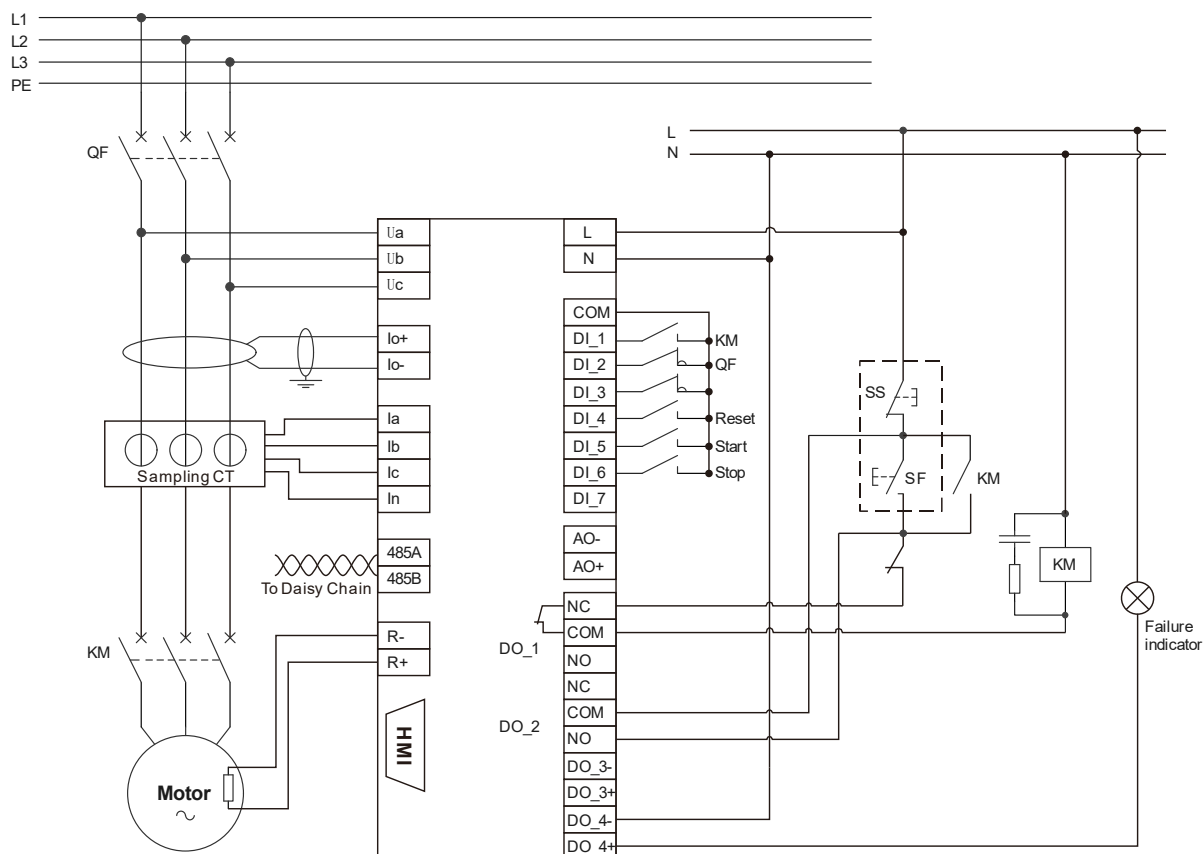
Typical wiring



8.7 - Pulse start mode

Energom-PR260 provide this special start mode for external switch start and protector start control in parallel:

Terminal	Description	
DI1	Universal signal input	<ol style="list-style-type: none"> After device powered ON, enters [Standby] state, HMI show "CB Direct". When device received "Motor Start" signal, DO2 will act 1sec then tripped, there have a pulse signal to active KM and self-locked by external circuit, motor powered up enter [Starting] period: In [Starting] period, "Start" light ON, HMI show "Starting"; After Starting period, "Start" light OFF, "Runs" light ON, HMI show "Running". When device received "Motor Stop" signal, OR there have protection tripping action: DO1 will released, KM will open, motor stopped and in [Cooling] period, used thermal capacity (UTC) drops. After UTC<15%, enters [Standby] state, HMI show "CB Direct". <p>Notes: In failure tripping, must use "Reset" switch looped to DI4 or "Reset" button on HMI to erase failure alarm.</p> <p>Must set DO1 for Trip, please refer chapter 6.5.1.</p>
DI2	Circuit Breaker (QF) status	
DI3	DI3 closed for HMI panel control; DI3 opened for external control	
DI4	External "Reset" switch status	
DI5	External "Start" switch status	
DI6	External "Stop" switch status	
DI7	Universal signal input	
DO1	To contractor	
DO2	Start A or Start B	
DO3	Motor failure alarm output	
DO4	Motor failure alarm output	



9. - COMMUNICATION INTERFACE

9.1. - MODBUS © protocol

The composition of the RS-485 cabling must be carried out with a meshed screen cable (minimum 3 wire), diameter of not less than 0.5mm², with a maximum distance of 1,200 m between the motor protector and the master unit. This Bus may connect a maximum of 32unit.

Notes:

1. For communication with the master unit, customers can choose the RS-232 to RS-485 converter to use.
2. Not all the EnergoM-PR260 series have RS485 full operation function, please check your ordered product
to confirm whether has related function. If products no response when read/write some register, mostly not equipped that functions.
3. Due to product modifications or custom requirements, the interface pin place may be changed.
For details, please refer to product label on the rear board.

9.1.1- Modbus RTU frame format:

Address code	1 BYTE	<i>Slave device address 1-247</i>
Function code	1 BYTE	<i>Indicates the function codes like read coils / inputs</i>
Data code	4 BYTE	<i>Starting address, high byte Starting address, low byte Number of registers, high byte Number of registers, low byte</i>
Error check code	2 BYTE	<i>Cyclical redundancy check (CRC)</i>

9.1.2.- Modbus function code

Code	Meaning	Description
FUNCTION 01	Read multiple Coils	<i>This function permits to read Internal Bits or Physical Coils</i>
FUNCTION 02	Read signal Coils	<i>This function permits to read Physical Discrete Inputs</i>
FUNCTION 03	Reading of n Words of holding register	<i>Read protection setting, system parameters, starting parameters, etc. Read the I/O port status</i>
FUNCTION 04	Reading of n Words of input register	<i>Read measurement values (voltage, current, power, etc.); Read SOE record</i>
FUNCTION 05	Force Single Coil	<i>This function permits to write Internal Bits or Physical Coils</i>
FUNCTION 06	Write single register	<i>This function permits to write</i>

Example_1: Read A, B, C phase current value**Host inquiry:**

Addr.	Func.	Data Address (high)	Data Address (low)	Data Number (high)	Data number (low)	CRC	
01	04	00	00	00	03	BE	F7

Slave response:

Addr.	Func.	Data length	A-phase current		B-phase current		C-phase current		CRC	
01	04	06	03	E8	03	E8	03	E7	C0	7D

Example_2: Write motor rated current from 1A to 1.5A**Host inquiry:**

Addr.	Func.	Data Address (high)	Data Address (low)	Data Value (high)	Data Value (low)	CRC	
01	06	02	05	00	0F	80	7E

Slave response:

Addr.	Func.	Data Address (high)	Data Address (low)	Data Value (high)	Data Value (low)	CRC	
01	06	02	05	00	0F	80	7E

Example_3: MODBUS command control relay to tripped**Host inquiry:**

Addr.	Func.	Data Address (high)	Data Address (low)	Data Value (high)	Data Value (low)	CRC	
01	05	00	01	FF	00	DD	DA

Slave response:

Addr.	Func.	Data Address (high)	Data Address (low)	Data Value (high)	Data Value (low)	CRC	
01	05	00	01	FF	00	DD	DA

9.2 - Register map

Cautions!

1. This chapter register map in default products the write function is disable in standard EnergoM-PR260,
that to avoid unexpected damage due to frequent write operations, only opened for customer requirement!!
2. Registers support maximum 100,000 times writes, wrong write registers may cause device irreparable damage! Please ensure that host software engineer proficient in RS485 MODBUS protocol.
3. When the customer request valid the register write function, Blue Jay Technology Co., Ltd. will not responsible for any damage caused by the register write operation!!

9.2.1 - Motor status parameter (Read only, Funx04)

Address	Parameter	Description
0x00	A-phase Current	Unit: 0.1A
0x01	B-phase Current	
0x02	C-phase Current	
0x03	AB line voltage	Unit: 0.1V
0x04	BC line voltage	
0x05	CA line voltage	
0x06	Active power (Ps_avg)	Unit: 0.1KW
0x07	Reactive power (Qs_avg)	Unit: 0.1KVar
0x08	Apparent power (Ss_avg)	Unit: 0.1KVA
0x09	Power factor	Unit: 0.001
0x0A	Frequency	Unit: 0.01Hz
0x0B	Residual current	Unit: 0.1mA
0x0C	Thermal resistance	Range: 100-30000Ω
0x0D	Used thermal capacity (UTC)	Range: 0-100%
0x12	Digital input status	0: without signal 1: With signal in BIT0:DI1 BIT1:DI2 BIT2:DI3 BIT3:DI4 BIT4:DI5 BIT5:DI6 BIT6:DI7
0x13	Digital output status	0: Opened 1: Closed BIT0:DO1 BIT1:DO2 BIT2:DO3 BIT3:DO4

0x14	A-Phase current percentage	Unit: 0.1%
0x15	B-Phase current percentage	Unit: 0.1%
0x16	C-Phase current percentage	Unit: 0.1%
0x17	AB line voltage percentage	Unit: 0.1%
0x18	BC line voltage percentage	Unit: 0.1%
0x19	CA line voltage percentage	Unit: 0.1%
0x1A	Active power percentage	Unit: 0.1%
0x1B	Reactive power percentage	Unit: 0.1%
0x1C	Apparent power percentage	Unit: 0.1%
0x1D	Power factor percentage	Unit: 0.1%
0x1E	Frequency percentage	Unit: 0.1%
0x1F	Residual current percentage (External)	Unit: 0.1% Sampling from external zero- sequence sensor
0x20	Residual current percentage (Internal)	Unit: 0.1% Calculated from fundamental frequency
0x23	Average voltage percentage	Unit: 0.1%
0x24	Average current percentage	Unit: 0.1%
0x25	Peak voltage percentage	Unit: 0.1%
0x26	Peak current percentage	Unit: 0.1%
0x28	A-phase current imbalance	Unit: 0.1%
0x29	B-phase current imbalance	Unit: 0.1%
0x2A	C-phase current imbalance	Unit: 0.1%
0x32-0x35	Active energy (Ep)	Unit: 1WH
0x36-0x39	Reactive energy (Eq)	Unit: 1varH
0x48	Device present state	0: Waiting for delay timer 1: Start standby 2: Starting 3: Running 4: Stopped 5: Stopped by failure trip
0x49	Device present alarm type	0x0000: No alarm 0x0001: Start Overtime 0x0002: Over Load 0x0004: Phase Failure 0x0008: Jam in starting 0x0010: Current imbalance 0x0020: Under power 0x0040: Jam in running 0x0080: Ground fault 0x0100: tE protection 0x0200: Over voltage 0x0400: Under voltage 0x0800: Abnormal frequency 0x1000: Abnormal power factor 0x2000: Over temperature 0x4000: Short circuit

0x4A	Device present failure type	0x0000: No alarm 0x0001: Start Overtime 0x0002: Over Load 0x0004: Phase Failure 0x0008: Jam in starting 0x0010: Current imbalance 0x0020: Under power 0x0040: Jam in running 0x0080: Ground fault 0x0100: tE protection 0x0200: Over voltage 0x0400: Under voltage 0x0800: Abnormal frequency 0x1000: Abnormal power factor 0x2000: Over temperature 0x4000: Short circuit
0x4B	Present run hours (Lower 16 bits)	Unit: Second
0x4C	Present run hours (High 16 bits)	
0x4D	Present stopped hours (Lower 16 bits)	Unit: Second
0x4E	Present stopped hours (High 16 bits)	
0x4F	Total run hours (Lower 16 bits)	Unit: Second
0x50	Total run hours (High 16 bits)	
0x51	Total stopped hours (Lower 16 bits)	Unit: Second
0x52	Total stopped hours (High 16 bits)	
0x53	Total operation times(Lower 16 bits)	Unit: times
0x54	Total operation times(High 16 bits)	
0x55	Total tipped number(Low 16 bits)	Unit: times
0x56	Total tipped number(High 16 bits)	
0x64	Year	RTC info
0x65	Month	
0x66	Date	
0x67	Hour	
0x68	Minute	
0x69	Second	
0x6A	Week	

9.2.2 - Motor basic configuration (Read and write)

Address	Parameter	Description
0x200	Password	Range: 1-9999
0x201	External CT rating	Range: 1-9999 (real value 0.1-999.9 A)
0x202	CT ratio	Range: 1-9999
0x203	Leakage current transformer rating (I _r)	Range: 1-9999 (real value 0.1-999.9 A)
0x204	Motor rated voltage	Range: 0-690
0x205	Motor rated current (I _e)	Range: 1-9999 (real value 0.1-999.9 A)
0x206	MODBUS ID	Range: 1~247
0x207	Baud ratio	0:2400 1:4800 2:9600 3:19200
0x208	Data format	0: n.8.1 1: o.8.1 2: e.8.1 3: n.8.2
0x209	Reserved	/
0x20A	Ground fault detect mode	0: Internal Calculated from fundamental frequency component 1: External Sampling from external zero-sequence sensor
0x20B	Auto restart	0: Disable 1: Enable
0x20C	Voltage dip threshold	Range: 50 ~100%U _e
0x20D	Voltage recovered threshold	Range: 50 ~100%U _e
0x20E	Voltage dip timer	Range: 0.1-60.0sec
0x20F	Restart delay timer	Range: 0.1-60.0sec
0x210	Motor rated power	unit KW

9.2.3. - Motor protection functions configuration (Read and write)

Address	Parameters	Description	
0x300	Start Overtime protect action	0: Invalid 1: Alarm	2: Trig DO
0x301	Over Load protect action	0: Invalid 1: Alarm	2: Trig DO
0x302	Over Load K factor	0: K=10 1: K=25 2: K=60 3: K=75 4: K=100 5: K=125	6: K=250 7: K=300 8: K=500 9: K=750 10: K=1000 11: K=1200
0x303	Over Load protection cool down timer	Range: 1-1200min	
0x304	Over Load reset method	0: Manual 1: Automatic	
0x305	Jam in running protect action	0: Invalid 1: Alarm 2: Trig DO	
0x306	Jam in running protect threshold	Range: 100-1000% Ie	
0x307	Jam in running protect timer	Range: 0.5-50.0sec	
0x308	Contacting breaking current	Range: 100-1000% Ie	
0x309	Jam in starting protect action	0: Invalid 1: Alarm 2: Trig DO	
0x30A	Jam in starting protect threshold	Range: 100-1000% Ie	
0x30B	Jam in starting protect timer	Range: 0.5-50.0sec	
0x30C	Phase failure protect action	0: Invalid 1: Alarm 2: Trig DO	
0x30D	Reserved		
0x30E	Phase failure protect timer	Range: 0.1-50.0sec	
0x30F	Current imbalance protect action	0: Invalid 1: Alarm 2: Trig DO	
0x310	Current imbalance threshold	Range: 5-60%	
0x311	Current imbalance protect timer	Range: 0.1-50.0sec	
0x312	Ground fault protect action	0: Invalid 1: Alarm 2: Trig DO	
0x313	Ground fault protect threshold	Range: 10-100% Ir	
0x314	Ground fault protect timer	Range: 0.1-50.0sec	
0x315	Under power protect action	0: Invalid 1: Alarm 2: Trig DO	
0x316	Under power protect threshold	20-100% Ie	
0x317	Under power protect timer	Range: 0.5-60.0sec	

0x318	Over temperature protect action	0: Invalid 1: Alarm 2: Trig DO
0x319	Temperature probe type	0: PTC 1: NTC
0x31A	Over temperature trig threshold	Range: 0.1 ~ 30.0KΩ
0x31B	Over temperature recover hysteresis	Range: 0.1 ~ 30.0KΩ
0x31C	Short circuit protect action	0: Invalid 1: Alarm 2: Trig DO
0x31D	Short circuit protect threshold	Range: 100-1000% I _e
0x31E	Short circuit protect timer	Range: 0.1-50.0sec
0x31F	Over voltage protect action	0: Invalid 1: Alarm 2: Trig DO
0x320	Over voltage protect threshold	Range: 105-150% U _e
0x321	Over voltage protect timer	Range: 0.1-50.0sec
0x322	Under voltage protect action	0: Invalid 1: Alarm 2: Trig DO
0x323	Under voltage protect threshold	Range: 50-95% U _e
0x324	Under voltage protect timer	Range: 0.1-50.0sec
0x325	Abnormal frequency protect action	0: Invalid 1: Alarm 2: Trig DO
0x326	Frequency protect upper threshold	Range: 50.00-55.00 Hz
0x327	Frequency protect lower threshold	Range: 45.00-50.00 Hz
0x328	Frequency protect timer	Range: 0.1-50.0sec
0x329	Abnormal power factor protect action	0: Invalid 1: Alarm 2: Trig DO
0x32A	Power factor protect threshold	Range: 20-95%
0x32B	Power factor protect timer	Range: 1.0-60.0sec
0x32C	Reserved	
0x32D	tE protect action	0: Invalid 1: Alarm 2: Trig DO
0x32E	tE protect value	Range: 1.0~15.0sec

9.2.4 - Motor start mode configuration (Read and write)

Address	Parameters	Description
0x32F	Motor starting timer	Range: 1.0~600.0sec
0x330	Transition timer	Range: 1.0~600.0sec
0x331	Motor starting current	Range: 5%~20%
0x332	Control switch permissions	0: Unlimited - all control methods are valid 1: Local/remote: DI3 closed for HMI panel control; DI3 opened for external control loop (DO or MODBUS command) control. Note: Factory default set "0"
0x333	Motor start mode	0: Only protection 1: Full voltage 2: Forward / reverse 3: Two-Winding 4: Reduce voltage start 5: Wye-Delta Transition 6: Autotransformer Closed Transition 7: MCB direct start
0x334-0x335	Reserved	
0x336	Start wiring check enable	0: Disable 1: Enable
0x337-0x33F	Reserved	
0x340	AO output zero span(0mA)	Default 0.0%
0x341	AO output full span(20mA)	Default 100.0%
0x342	AO output selection	0: 0-20mA 1: 4-20mA
0x343	AO transmit parameters	0: I1 1: I2 2: I3 3: U1 4: U2 5: U3 6: Ps 7: Qs 8: Ss 9: Pf 10: Fr
0x344-0x348	Reserved	
0x349	DO4	Trip Circuit Breaker when short circuit protection. Export pulse signal to MCB. Range: 0-999.9Sec 0 for level control

9.2.5 - Sequence of event record (Read only, code 04)

Address	Parameters	Description
0x500-0x504	SOE_001	SOE_001 is latest record Details see Notes
0x505-0x509	SOE_002	
0x50A-0x50E	SOE_003	
0x50F-0x513	SOE_004	
0x514-0x518	SOE_005	
0x519-0x51D	SOE_006	
...	...	
0x6EF-0x6F3	SOE_100	
...
0x800H	Clear SOE	Write:0A0A
0x900H	Clear heat capacity	Write:0A0A
0xA00H	Clear running information	Write:0A0A
0xD00H	Control start A, start B, stop, reset	Restart:0x10 Stop:0x20 Start B:0x40 Start A:0x80
0xF00H	Clear energy	Write:0A0A

Note: Each event is represented by 10 bytes.

BYTE 0-1 for failure type	01: Start Overtime 02: Over Load 03: Phase Failure 04: Jam in starting 05: Current imbalance	06: Under power 07: Jam in running 08: Ground fault 09: tE protection 10: Over voltage	11: Under voltage 12: Abnormal frequency 13: Abnormal power factor 14: Over temperature 15: Short circuit
BYTE 2-3	Failure value		
BYTE 4-9	Failure event timestamp		
BYTE 4	Year		
BYTE 5	Month		
BYTE 6	Date		
BYTE 7	Hour		
BYTE 8	Minute		
BYTE 9	Second		

10. - SAFETY CONSIDERATIONS



All installation specification described at the previous chapters named: **INSTALLATION AND STARTUP, INSTALLATION MODES and SPECIFICATIONS.**

Note that with the instrument powered on, the terminals could be dangerous to touching and cover opening actions or elements removal may allow accessing dangerous parts. This instrument is factory-shipped at proper operation condition.

11. - MAINTENANCE

The EnergoM-PR260 series not require any special maintenance. No adjustment, maintenance or repairing action should be done when the instrument is open and powered on, should those actions are essential, high-qualified operators must perform them.

Before any adjustment, replacement, maintenance or repairing operation is carried out; the instrument must be disconnected from any power supply source.

When any protection failure is suspected to exist, the instrument must be immediately put out of service. The instrument's design allows a quick replacement in case of any failure.

ЭНЕРГОМЕТРИКА
www.energometrika.ru